

Specification

Battery Pack Type:	Professional V-Lock 14.4V ~ 14.8V
Mount Type:	Professional V-lock Mount
D-Tap DC Output 1:	DC 12V ~ 16.8V / 10A / 148W (Max) unregulated
D-Tap DC Output 2:	DC 12V ~ 16.8V / 10A / 148W (Max) unregulated
D-Tap DC Output 3:	DC 12V ~ 16.8V / 10A / 148W (Max) unregulated
USB DC Output 3:	DC 5V / 2.1A / 10W (Max)
Breakaway DC Cable:	DC 7.2V ~ 12V / 2.1A / 25W (Max) 50cm (length)
Mounting Method:	Screw M3x8
V-Lock Release:	High Quality Aluminium Alloy
Storage Temperature:	-10°C to +50°C
Operating Temperature:	-20°C to +45°C (-4°F to +113°F)
Mounting:	Multiple mounting holes for universal camera connection
Dimensions (W/H/D):	146 x 102 x 26 mm
Net Weight:	185g

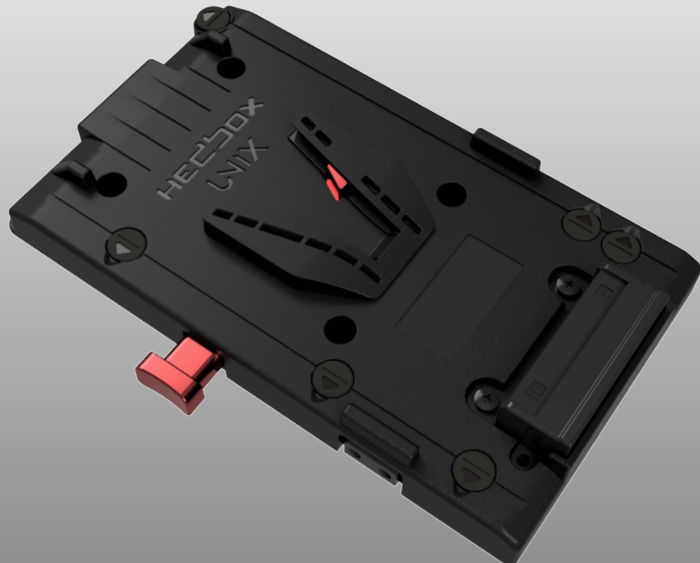
Note

Always verify that the unit is operating properly before use. HEDBOX WILL NOT BE LIABLE FOR DAMAGES OF ANY KIND INCLUDING, BUT NOT LIMITED TO, COMPENSATION OR REIMBURSEMENT ON ACCOUNT OF THE LOSS OF PRESENT OR PROSPECTIVE PROFITS DUE TO FAILURE OF THIS UNIT, EITHER DURING THE WARRANTY PERIOD OR AFTER EXPIRATION OF THE WARRANTY, OR FOR ANY OTHER REASON WHATSOEVER

If you want to know more about HEDBOX Products please visit our website: www.hedbox.com

V-Mount Adaptor Plate

UNIX



HEDBOX

User Manual

HEDBOX

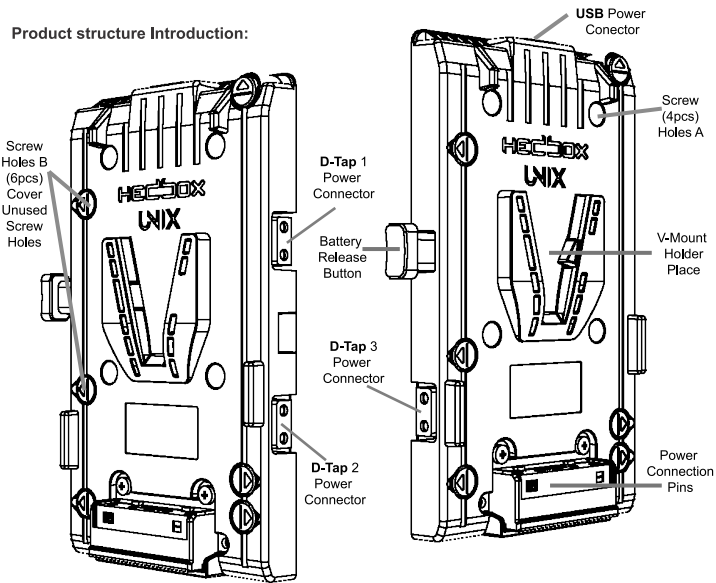
Operating Instructions

Before operating the unit, please read this manual thoroughly and retain it for future reference.

Overview / Features

The HEDBOX UNIX Cine Professional V-Mount Battery Power Plate, is the right choice for Professional Video and Photo Users. Using High Quality materials and strong durable production, it represent top line of Cine products. With 3 x D-Tap 14.8V / 12A DC and 1 x USB 5V / 2.1A DC Power Out it can be used as the Professional V-lock adapter Power Plate for all 14.8V V-lock Pro Battery Packs. It easily converts any Professional Camera or Camcorder to a V-Mount.

Product structure Introduction:



Use the UNIX adaptor plate only with equipment according to Manual/Operating Instructions recommendations.

Page 1

HEDBOX

Caution on Use

Important Safety Instructions

- Never short-circuit the adaptor plate terminals.
- Never attempt to open the adaptor plate unit
- Avoid mechanical shock.
- Keep these instructions.
- Heed all warnings.
- Follow all instructions.
- Do not use this apparatus near water.
- Clean only with dry cloth.
- Do not install near any heat sources such as radiators, heat registers, stoves, or other apparatus (including amplifiers) that produce heat.
- Only use attachments/accessories specified by the manufacturer. Use only with the cart, stand, tripod, bracket, or table specified by the manufacturer, or sold with the apparatus. When a cart is used, use caution when moving the cart/apparatus combination to avoid injury from tip-over.
- Unplug this apparatus during lightning storms or when unused for long periods of time.
- Refer all servicing to qualified service personnel. Servicing is required when the apparatus has been damaged in any way, such as power-supply cord or plug is damaged, liquid has been spilled or objects have fallen into the apparatus, the apparatus has been exposed to rain or moisture, does not operate normally, or has been dropped.
- When the UNIX Unit is not in use, please unplug the battery to prevent accident.
- Use UNIX unit only with V-Lock type battery mount.
- Use UNIX unit only with Lithium-Ion battery type.
- Large discharge amount may expedite deterioration of battery pack's internal cells. To prevent this, use the UNIX adaptor plate with discharger amount of about 6A or less.
- The maximum discharge amount is **10A** for the UNIX at 23°C (73°F). Continuous use at levels beyond the maximum discharge level may cause the protection circuit to shut off the current to protect the internal battery cells.

Caution on storage

- Never expose the UNIX to rain or moisture.
- Keep away from children.
- Never expose the UNIX to temperatures above 60°C (140°F). Store the adaptor unit in dry place at temperatures between 0°C to 23°C (32°F to 73°F).
- If the UNIX terminals become soiled, clean them with a soft cloth.

Caution: Do not handle damaged or leaking Lithium-Ion batteries

WARNING

- UNIX plate shall not be exposed to excessive heat such as sunshine, fire or the like.

Page 6

HEDBOX

D-Tap 14.8V, 8A Power Output

- The D-TAP DC Output socket can be used as 14.8V DC output.
- Plug in the D-Tap lead for DC output.
- Keep D-Tap socket away from dust

The Maximum constant current that Battery provide during DC 14.8V Power Output is **10A**

NOTICE

Please check that the components size and voltages will be compatible according to your Camcorder DC Voltage Input or Battery Pack Charging Voltage and Current. Please use the manual instruction of the Camcorder or Battery Pack, and read this manual carefully before using the unit with this AC Adaptor / Charger. We are not responsible for any damage caused by incorrect use or operation.

CAUTION

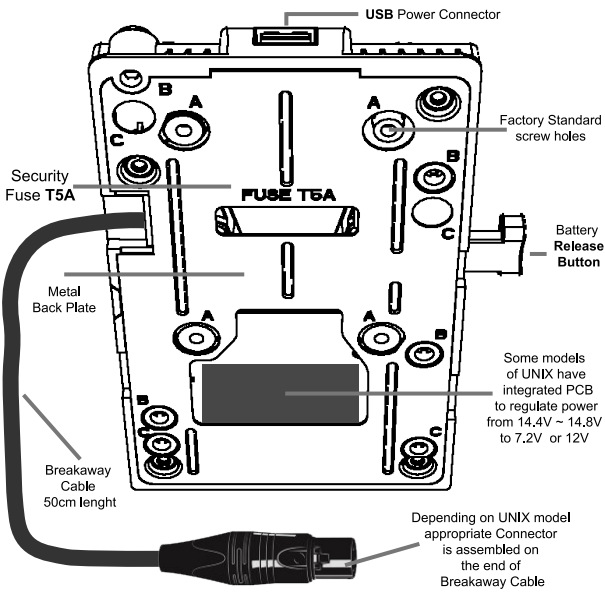
1. This device is for indoor use only, don't put or use it in high temperature and high moisture environment;
2. It's a common phenomenon for the unit to feel hot when using;
3. Avoid falling and bumping otherwise the electrical components will be damaged;
4. Don't try to disassemble or open the cover under any circumstance in order to avoid danger.

Page 5

HEDBOX

Breakaway DC Cable

Various models of UNIX Adaptor Plate like UNIX-SO; UNIX-DC; UNIX-OB; UNIX-HY; UNIX-4X UNIX-1B; UNIX-0BL; UNIX-1BL; UNIX-1B4 are supplied with Breakaway Cable with installed appropriate connector, at the end of a 50cm long cable. With this breakaway DC power cable, UNIX can be used to Power various cameras and devices in Video and Photo market. Those models of UNIX have integrated PCB to regulate power from installed Battery pack on the plate from 14.4V ~ 14.8V to 7.2V or 12V. To chose right UNIX model for your applicaton please visit our website at www.hedbox.com

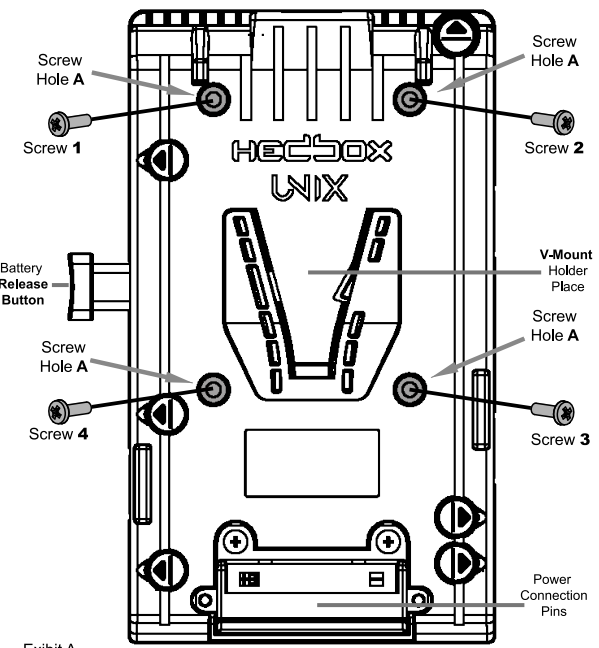


Page 2

HEDBOX

Factory standard Mounting the Plate

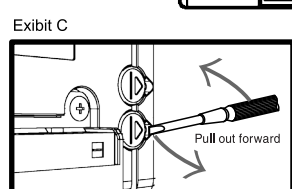
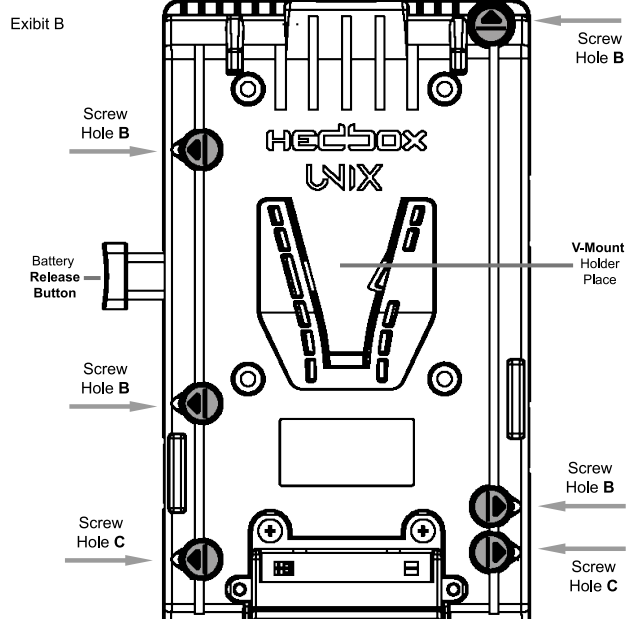
UNIX is designed to be universal Adapter Plate, that can be attached to any model of Camera, Camcorder, LED Light, Monitor or any other units. As a factory standard UNIX is supplied with 4x screw holes shown on "Exhibit A". Please use 4x M3 screw to securely fit the UNIX plate to the desired unit, on which the Adaptor Plate will be used accordingly. In the box UNIX is supplied with 4 x M3x12 screws.



Page 3

HEDBOX

Extra holes Mounting the Plate



How to remove Plastic Cover Cap

Page 4

To use UNIX with other products, please use Hole B or Hole C shown on "Exhibit B", please use Hole B or Hole C to the designed products. Remove the plastic Cover Cap, shown on "Exhibit C". Please use 4 x M3 screw to securely fit the UNIX plate to the desired unit, on which the Adaptor Plate will be used accordingly. The Factory Box of UNIX is supplied with 4 x M3x12 screws.