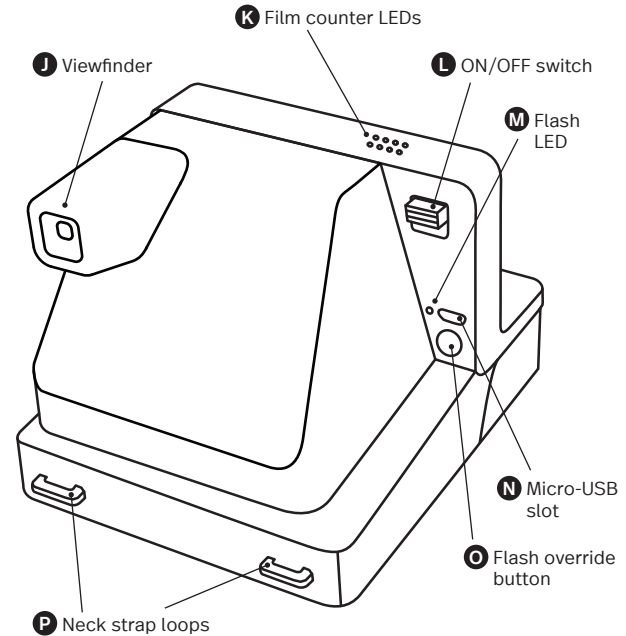
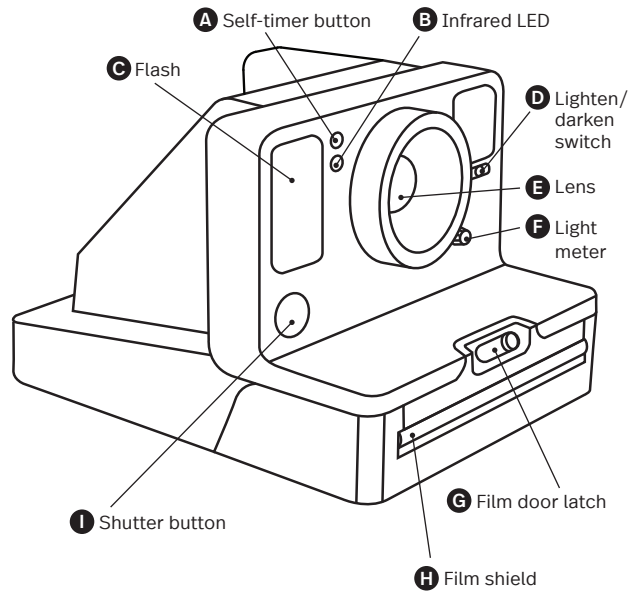


## Polaroid OneStep<sup>2</sup>

Inspired by the original OneStep camera from 1977, the Polaroid OneStep 2 is an analog instant camera for the modern era. It takes a moment and turns it into something you can hold, something you can share, something real.

## Parts Diagram



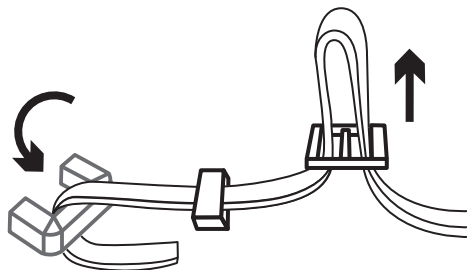
<b>A</b>	Bouton retardateur	Botón del temporizador automático	Pulsante autoscatto	Selbstauslöser-Taste	セルフタイマーボタン	自动定时器按钮	自拍計時器按鈕	셀프 타이머 버튼	Кнопка автоспуска	<b>A</b>
<b>B</b>	LED infrarouge	LED infrarrojo	LED infrarosso	Infrarot-LED	赤外線LED	紅外線 LED 指示灯	紅外線 LED 燈	적외선 LED	Светодиод инфракрасной подсветки	<b>B</b>
<b>C</b>	Flash	Flash	Flash	Blitz	フラッシュ	闪光灯	閃光燈	플래시	Вспышка	<b>C</b>
<b>D</b>	Bouton éclaircir / assombrir	Interruptor de aclarar / oscurecer	Tasto Controllo Chiaro / Scuro	Helligkeitsregler	明暗スイッチ	调亮/调暗开关	調亮/調暗開關	밝기 조절 스위치	Переключатель осветления/затемнения	<b>D</b>
<b>E</b>	Objectif	Lente	Obiettivo	Linse	レンズ	镜头	鏡頭	렌즈	Объектив	<b>E</b>
<b>F</b>	Photomètre	Fotómetro	Esposimetro	Belichtungsmesser	光メーター	测光表	光度計	조명 측정기	Экспонометр	<b>F</b>
<b>G</b>	Loquet du compartiment film	Palanca del compartimento de película	Apertura sportello del vano pellicola	Filmiadeklappe-Entriegelung	フィルムドアラッチ	相紙倉蓋門鎖	相紙輪蓋	필름 도어 래치	Зашелка крышки отсека для пленки	<b>G</b>
<b>H</b>	Protecteur de film	Protector de fotos	Linguetta di protezione della pellicola	Filmschutzfolie	フィルムシールド	相紙遮光板	相紙遮光板	필름 가리개	Защитный экран	<b>H</b>
<b>I</b>	Déclencheur	Botón de disparo	Pulsante otturatore	Auslöser	シャッターボタン	快门按钮	快門按鈕	촬영 버튼	Кнопка спуска затвора	<b>I</b>
<b>J</b>	Viseur	Visor	Mirino	Sucher	ビューファインダー	取景器	觀景窗	파인더	Видоискатель	<b>J</b>
<b>K</b>	LEDs du compteur de photos	LED del contador de exposiciones	LED del contatore della pellicola disponibile	Restbildanzeige-LEDs	フィルムカウンターLED	相紙计数器 LED 指示灯	相紙計數器 LED 燈	필름 카운터 LED	Светодиодный счетчик кадров	<b>K</b>
<b>L</b>	Interrupteur de mise sous tension	Interruptor de encendido / apagado	Interruttore accensione / spegnimento	Ein-/Aus-Schalter	ON/OFF 스위치	开关	開/關按鈕	커킷기 스위치	Кнопка включения/выключения	<b>L</b>
<b>M</b>	LED de charge du flash	LED del flash	LED di ricarica del flash	Blitz-LED	フラッシュLED	闪光灯 LED 指示灯	閃光燈 LED 燈	플래시 LED	Светодиодный индикатор вспышки	<b>M</b>
<b>N</b>	Port micro USB	Ranura micro USB	Porta micro USB	Micro-USB-Anschluss	マイクUSBスロット	Micro-USB 插槽	Micro-USB 插槽	마이크로-USB 슬롯	Micro-USB	<b>N</b>
<b>O</b>	Bouton de neutralisation du flash	Botón de cancelación del flash	Pulsante di esclusione del flash	Blitzunterdrückungs-Taste	フラッシュオーバーライドボタン	闪光灯覆盖按钮	閃光燈覆蓋按鈕	플래시 비활성화 버튼	Кнопка блокировки вспышки	<b>O</b>
<b>P</b>	Passants pour la sangle	Enganches para la correa	Ganci per tracolla	Tragegurt-Lasche	ネックストラップープ	挂绳环	頸帶環	목 스트랩 루프	Скобы для шейного ремня	<b>P</b>

8

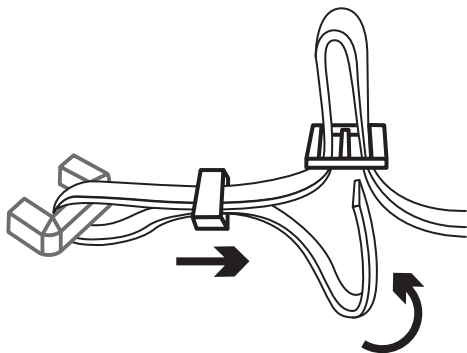
## Attach the camera neck strap

Fixez la sangle à l'appareil  
Colocación de la correa de cuello  
Applicazione della tracolla

1



2

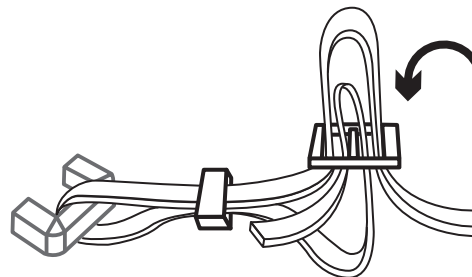


Kamera-Tragegurt anbringen  
カメラストラップを取り付ける  
连接相机挂绳 / 连接相机挂绳

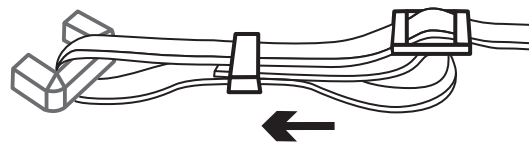
카메라 목 스트랩 부착  
Присоединение шейного  
ремня фотоаппарата

9

3



4





## User Manual

- 14 Box Contents
- 14 How to Use the OneStep 2
- 17 Further Guidance
- 19 Troubleshooting & FAQ
- 21 Tips for Making Great Photos
- 22 Customer Support
- 22 Technical Specifications
- 23 Safety Information
- 24 Compliance

## Manuel d'utilisation

- 26 Contenu de la boîte
- 26 Comment utiliser le OneStep 2
- 29 Conseils supplémentaires
- 32 Dépannage et F.A.Q.
- 34 Conseils pour prendre d'excellentes photos
- 36 Service clientèle
- 36 Spécifications techniques
- 37 Informations de sécurité
- 38 Conformité

## Manual de usuario

- 42 Contenido de la caja
- 42 Cómo utilizar la OneStep 2
- 45 Instrucciones adicionales
- 48 Solución de problemas y preguntas frecuentes
- 50 Consejos para hacer fotografías impresionantes
- 51 Atención al cliente
- 51 Especificaciones técnicas
- 52 Información sobre seguridad
- 53 Cumplimiento de la normativa

## Manuale utente

- 56 Contenuto della scatola
- 56 Uso della OneStep 2
- 59 Ulteriori istruzioni
- 62 Risoluzione problemi e FAQ
- 64 Consigli per realizzare foto perfette
- 65 Assistenza clienti
- 65 Scheda tecnica
- 66 Informazioni di sicurezza
- 67 Conformità

## Benutzerhandbuch

- 70 Lieferumfang
- 70 Bedienungsanleitung für die OneStep 2-Kamera
- 73 Weitere Informationen
- 76 Problembekämpfung und häufig gestellte Fragen
- 78 Tipps für großartige Fotos
- 80 Kundenservice
- 80 Technische Daten
- 81 Sicherheitshinweise
- 82 Konformitätserklärung

## ユーザー マニュアル

- 84 内容物
- 84 OneStep 2 の使用方法
- 86 詳細ガイド
- 89トラブルシューティングとよくある質問
- 90 良い写真を撮るコツ
- 92 カスタマー サポート
- 92 技術仕様
- 93 安全情報
- 93 コンプライアンス

## 用户手册

- 96 包装清单
- 96 如何使用 OneStep 2
- 98 详细指南
- 99 故障排除和常见问题解答
- 100 拍摄精彩照片的诀窍
- 101 客户支持
- 101 技术规格
- 102 安全信息
- 102 合规性

## 使用手册

- 106 包装盒内容
- 106 如何使用 OneStep 2
- 108 详细指南
- 109 故障排除與常見問答
- 110 拍攝精彩照片的訣竅
- 111 客戶服務
- 111 技術規格
- 112 安全資訊
- 112 合規

## 사용 설명서

- 116 제품 구성
- 116 OneStep 2 사용법
- 118 기타 지침
- 120 문제해결 & FAQ
- 121 최고의 사진 촬영을 위한 요령
- 122 고객 지원
- 122 기술 사양
- 123 안전 정보
- 123 준법

## Руководство пользователя

- 126 Комплект поставки
- 126 Инструкция по эксплуатации OneStep 2
- 129 Дополнительные инструкции
- 132 Поиск и устранение неисправностей и часто задаваемые вопросы
- 134 Как получить потрясающие снимки
- 135 Техническая поддержка
- 135 Технические характеристики
- 136 Информация по технике безопасности
- 137 Соответствие нормативным требованиям

Please be sure to read through this manual before using the OneStep 2. Keep for future reference.

# User Manual

## **Warranty**

Find the Warranty for this camera  
by following this link:  
[polaroidoriginals.com/warranty](https://polaroidoriginals.com/warranty)

## Box contents

- 01 OneStep 2 Camera
- 02 USB Charging Cable
- 03 User Manual
- 04 Camera Neck Strap



## How to use the OneStep<sup>2</sup>

### Charge the camera

**Important** The OneStep 2 will not be fully charged upon purchase – it should be fully charged before first use. To charge the camera, plug the USB charging cable into the Micro-USB slot on the camera's back panel, and the other end of the cable into a charger, such as a smartphone adapter or your computer's USB slot. The red flash charge LED will turn off when the battery is fully charged.

A full charge usually takes about 2 hours through a wall socket with a smartphone adapter, or up to 4 hours through a computer's USB slot. A fully-charged OneStep 2 camera will have enough power to shoot 15-20 packs of film, depending on usage. Remember to turn your camera off after every use to conserve battery life.

### 1. Turn the camera on/off

To turn the camera on, slide the power switch into the ON position (down). The flash charging LED on the back panel will start blinking to charge the flash, and the remaining film counter on the top of the camera will light up to indicate that the camera is switched on. To turn the camera off again, return the power switch to the OFF position.

### 2. Load the film

Slide the film door latch to open the film door. Push the film cassette all the way in, with the film's darkslide facing up.

**Note** Please check individual film packaging for development time, handling and storage details.

### 3. Close film door

When you close the film door, the darkslide will eject from the camera automatically, underneath the film shield. The plastic film shield is

designed to protect images from light as they develop – it should not be removed. Take the darkslide out from under the film shield and let the film shield roll back up. If the darkslide has not ejected, remove the film pack and re-insert it, making sure it is pushed all the way to the back of the camera.

### 4. Set the Flash & Lighten/Darken

**Flash** The camera flash will trigger by default when you shoot with the OneStep 2. To shoot without the flash, press and hold the flash override button on the back panel as you press the shutter button.

**Warning** Shooting without flash will reduce camera performance and picture quality in most lighting situations except brightly-lit, sunny environments. We recommend always shooting with flash.

**Lighten/Darken** Use the lighten/darken switch on the right side of the lens barrel to adjust

the exposure of your shot. To get a brighter photo, move the lighten/darken switch right to the plus/lighten position. For a darker photo, move the lighten/darken switch left to the minus/darken position. These two settings correspond to different Exposure Values (EV). The camera's Exposure Values are  $+1/2$  EV (when you move the switch to plus/lighten) and  $-1/2$  EV (when you move the switch to minus/darken).

#### 5. Using the viewfinder

The OneStep 2 uses a traditional viewfinder located on the right side of the lens barrel. The viewfinder is most accurate when you align your right eye with the space behind the viewfinder.

**Note** Remember that the viewfinder sits slightly above and to the right of the camera's lens – above and to the left from your perspective when shooting – so you will need to adjust your aim to compose your shot correctly when

shooting at distances of 1.2 meters or less.

#### 6. Compose your photo

To avoid a blurry photo, make sure you are at least 60cm (2 feet) away from your subject when you take the picture. For the best results, always try to shoot with your light source behind you.

#### 7. Take the photo

Press the shutter button all the way in to take the photo. The photo will be ejected from the slot at the front of the camera as soon as you let go of the shutter button. It will be shielded from the light by the film shield, and will be held in place until you are ready to remove it.

#### 8. Remove and shield the photo

Remove the photo from beneath the film shield and let the film shield roll back into the camera. Place the photo face down to continue shielding it from light as it develops.

## Further Guidance

#### Using the self-timer

The OneStep 2 has a self-timer function allowing you to place yourself in your photos or create perfectly-timed photographs. To use the self-timer, press the self-timer button on the left of the lens barrel. The self-timer button will light up to solid orange, indicating that the self-timer is activated. Once you have framed your photo, press the shutter button. The self-timer uses an 8-second interval between pressing the shutter button and taking the photograph. Once triggered, the self-timer's orange LED will blink to indicate the self-timer countdown. In bright or sunny environments, the camera flash will also countdown with short, low-power flashes.

**Note** When using the self-timer to shoot, the flash will trigger automatically. To make self-timed photos without flash, activate the self-timer, then press and hold the flash

override button as you press the shutter button.

#### How much film is left in the pack

There are 8 orange LED lights on top of the camera. When the OneStep 2 is switched on and not in sleep mode, the LEDs will constantly display the film count. The number of LEDs which light up corresponds to the number of shots left in the film pack. For example: If 6 LEDs light up, that means there are 6 shots left in the film pack. If you have used up all 8 shots in the film pack, or if there is no film pack inserted in the camera, then the LEDs will blink rapidly when you turn the camera on.

#### How much battery you have left

The camera has 3 battery states, indicated by the camera's flash charge LED light:

1. Battery charged: Enough charge for at least 2 packs of film.

The flash LED will blink green whilst charging between shots, and will be solid green when ready to shoot.

2. **Battery low:**

Enough charge for about 1 pack of film.

The flash LED will blink orange whilst charging between shots, and will be solid orange when ready to shoot.

3. **Battery empty:**

No charge remaining.

The flash LED will blink red, and the camera will cease to operate until it is recharged.

A fully-charged OneStep 2 camera will have enough power to shoot 15-20 packs of film, depending on usage. To check the camera's charge at any time, switch the camera off, then switch it back on whilst holding down the self-timer button. The 8 film counter LEDs on top of the camera will light up, indicating how much battery remains.

For example: If 6 LEDs light up, that means the camera has 6/8 (75%) charge remaining. Once you release the self-timer

button, the LEDs will return to displaying the number of shots remaining in your film pack.

**Compatible Film**

The OneStep 2 works with all Polaroid Originals i-Type and 600 type film packs. We recommend using i-Type film as it is optimized for use with the OneStep 2.

**Power supply**

Charge the OneStep 2 before use to ensure it has enough power for the duration of your shoot (see →**Charge the Camera**). The flash charge LED will be solid red whilst the camera is plugged in and charging, and will turn off once the camera is fully charged.

**Attach the camera neck strap**

See page 8 for guide to attaching your neck strap.

**Using a Tripod**

The OneStep 2 has a tripod socket in its base, which works with most standard tripods. Simply screw your tripod

mount into the socket on the base of the OneStep 2.

**Note** With most tripods, the tripod mount will need to be unscrewed before you can load or exchange film into the OneStep 2.

**Cleaning the rollers**

Sometimes excess developer paste from photos may build up on the camera's rollers, affecting the camera's performance and causing photos to show unwanted imperfections. The OneStep 2 has a built-in roller cleaning mode to help with this issue. Just follow these steps:

1. Turn the camera off.
2. Open the film door.
3. Hold the flash override button and press the shutter button.
4. The camera is now in roller cleaning mode.
5. Using a damp cloth or cotton swab, gently clean the rollers.
6. Press shutter button to incrementally advance roller positions.
7. Once both rollers are clean on all sides, close the film door.

8. Rollers will automatically re-turn to their correct position.

## Troubleshooting & FAQ

**My OneStep 2 won't eject my photo/darkslide**

Make sure that your OneStep 2 camera is charged: The camera's flash charge LED will blink red if it doesn't have enough charge to operate. If this is the case, you should recharge your camera before using the camera again.

Make sure you still have film in your camera: to check, slide the power switch off and on. The remaining film counter LEDs will indicate how many shots you have left in the film pack. If the LEDs flash rapidly when the camera turns on again, this means that there are no shots left in the film pack, or that no film pack is inserted.

**The flash doesn't fire when I take a photo**

When taking photos make sure you aren't accidentally pressing the flash override button, located on the camera's back panel.

**My photo turned out slightly too dark**

We strongly recommend that you always shoot with flash when shooting indoors, as well as outside at night-time, at dusk and on cloudy days with low light conditions.

Make sure you are not shooting towards the sun; the OneStep 2 meters the average light level it sees. When shooting toward sunlight, the excessive light may cause the camera to over-compensate when exposing the image, creating an image that is too dark to expose your subject properly.

Move the lighten/darken switch on the right side of the lens barrel to the plus/lighten position for a brighter image.

**My photo turned out blurry or fuzzy**

When shooting, make sure to hold the camera steady, especially in low light conditions, and make sure you have a strong light source to illuminate your shot.

We strongly recommend that you always shoot with flash when shooting indoors, as well as outside at night-time, at dusk and on cloudy days with low light conditions. You can also use a tripod to give your camera a stable base.

Make sure you are not too close to your subject when taking photos. In order to avoid blurry or out-of-focus photos, you should shoot from at least 60cm (2 ft) away from your subject.

**Tips for Making Great Photos****Make photos indoors**

Always use the flash when shooting indoors, even if you don't think you need it.

Indoor light appears yellow on analog film – the OneStep 2's flash is designed to compensate for this.

**Make photos at night**

When shooting at a party (or any indoor night-time environment), you should always use the flash.

You can also try moving the lighten/darken switch to the plus/lighten position to get a brighter shot.

**Make photos outdoors**

Natural light is your best friend when it comes to instant photography. On a sunny day outdoors, you don't need to use your flash at all. Make sure not to shoot towards the sun; shoot with the sun behind you, facing your subject directly

or side-on. If your environment is very bright, you can try moving the lighten/darken switch to the minus/darken position to let less light into the shot and prevent it from being "blown out".

In any situation where you are not shooting in bright, direct sunlight, we recommend still using the flash to achieve the best shots.

**Make landscape photos**

When trying to capture a landscape shot, make sure that the sun or main light source is behind you to prevent the image from being "blown out" by excess light.

On a cloudy or overcast day with low light, you may wish to place the camera on a tripod or steady surface which will make it easier for the entire scene to remain in focus.

## Customer Support

The Polaroid Originals Customer Support Team is always more than happy to hear from you. Get in touch using the contact details provided. For more detailed and up-to-date information, visit [polaroidoriginals.com/help](http://polaroidoriginals.com/help)

## Technical Specifications

### General

**Dimensions**  
150mm (L) × 111mm (W) × 97mm (H)

### Weight

460 grams (without film pack)

### Operating Temperature

40–108°F / 4–42°C, 5–90%

### relative humidity

### Compatible Film

Polaroid Originals i-Type and 600 type film in both Color and Black & White, including Special Editions.

### Battery

High performance lithium-ion battery, 1100mAh, 3.7V nominal voltage, 4.07Wh

### USA/Canada

[usa@polaroidoriginals.com](mailto:usa@polaroidoriginals.com)  
+212 219 3254

### Europe/Rest of World

[service@polaroidoriginals.com](mailto:service@polaroidoriginals.com)  
00 800 577 01500

### Impossible B.V.

P.O. Box 242  
7500 AE Enschede  
The Netherlands

### Materials

#### Outer shells

Polycarbonate + ABS plastics

#### Lens

Optical grade polycarbonate lens, coated

#### Shutter system

Custom design using precision step motor

### Optical System

#### Lens

Fixed focus lens

#### Focal length

106mm

#### Field of view

41 degrees vertical,  
40 degrees horizontal

### Flash System

Vacuum discharge tube strobe

## Safety Information

### Caution RISK OF ELECTRIC SHOCK – DO NOT OPEN/ DISASSEMBLE THE MOTORIZED ROLLER SYSTEM

- Do not disassemble the device. Incorrect reassembly can cause electrical shock if the device is used again.
  - Do not immerse the device in water or other fluids.
  - Do not operate the device in a high humidity environment or very dusty environments.
  - Do not attempt to tamper with, adjust or remove the battery and/or the electronics located below the rollers behind the device's film door.
  - Do not attempt to remove the door itself as it is connected electronically to the body of the device. Doing so is unsafe, will likely damage your device, and will void your warranty.
  - Do not insert metal objects into the device.
  - Do not insert any objects into the rollers or gears.
  - Keep small children and infants away from device to avoid them being injured by the device's moving parts.
  - Do not use or store the device near any heat source or any type of equipment that generates heat, including stereo amplifiers.
  - Do not use the device near flammable or explosive gases.
  - Do not charge the device if you notice any unusual odors, noise or smoke.
  - Do not attempt to disassemble the film's battery or modify it in any way (if using 600-type film). If battery fluid gets in your eyes, immediately rinse your eyes with fresh, cold running water and seek medical attention immediately.
- Power consumption varies depending on the environment the device is used in and how the device has been stored. Used immediately after full charge, the battery will power the processing of up to 20 film packs with flash exposures. Due to the high energy requirements of the flash, we recommend charging the camera fully before every session for best results.
  - Once the battery energy level falls below a certain level, the device will no longer process film. The LED will blink and signal when it needs to be recharged. This is to avoid a photo getting stuck as it is being processed through the roller system.
  - The rechargeable battery is not fully charged at the time of purchase. Charge the battery fully with the USB charging cable (provided). This usually takes 1-2 hours (can vary depending on usage).
  - The supplied battery charging cable has been tested to work with the Apple iPhone power adaptors. While it can be used in other USB ports e.g. computer, USB power adaptors, TVs, cars etc., correct operation cannot be guaranteed.
  - When the device is no longer in use, please recycle it properly.

### Usage Environment

- To protect the high-precision technology contained in this device, never leave the camera in the following environments for extended periods of time: high temperature (+42°C/108°F), high humidity, places with extreme changes in temperature (hot and cold), direct sunlight, sandy or dusty environments such as beaches, damp places, or places with strong vibrations.
- Do not drop the device or subject it to severe shocks or vibrations.
- Do not push, pull or press on the lens.

### Battery and Charger

- This device uses a custom lithium-ion battery that is non-removable and mounted inside the camera body. No other type of battery can be used. Battery replacement can only be done by authorized service centers. The battery will provide many years of service if properly used.

## Compliance

### Important directions for using

#### Lithium-Ion Batteries

1. Do not throw into fire.
2. Do not short circuit.
3. Do not disassemble.
4. Do not continue to use when damaged.
5. Dispose correctly after use.
6. Keep away from water.

### EU Declaration of Conformity

Hereby, Impossible B.V. declares that the OneStep 2 analog instant camera is in compliance with the essential requirements of the Electromagnetic Compatibility Directive (2014/30/EU), Low Voltage Directive (2014/35/EU) and RoHS Directive (2011/65/EU) and other relevant provisions, when used for its intended purpose.

### FCC Compliance Statement

This device complies with Part 15 of the FCC Rules. Operation is subject to the following two conditions: (1) this device may not cause harmful interference, and (2) this device must accept any interference received, including interference that may cause undesired operation.

**Caution** The user is cautioned that changes or modifications not expressly approved by the party responsible for compliance could void the user's authority to operate the equipment. This equipment must not be co-located or operated in conjunction with any other antenna or transmitter.

**Note** This equipment has been tested and found to comply with the limits for a Class B digital device, pursuant to part 15 of the FCC rules. These limits are designed to provide reasonable protection against harmful interference in a residential installation. This equipment generates, uses and can radiate radio frequency energy and, if not installed and used in accordance with the instructions, may cause harmful interference to radio communications. However, there is no guarantee that interference will not occur in a particular installation. If this equipment does cause harmful interference to radio or television reception, which can be determined by turning the equipment

off and on, the user is encouraged to try to correct the interference by one or more of the following measures:

- Reorient or relocate the receiving antenna.
- Increase the separation between the equipment and receiver.
- Connect the equipment into an outlet on a circuit different from that to which the receiver is connected.
- Consult the dealer or an experienced radio/TV technician for help.

This equipment complies with FCC radiation exposure limits set forth for an uncontrolled environment. End user must follow the specific operating instructions for satisfying RF exposure compliance.

### Industry Canada (IC)

This device complies with part 15 of the FCC Rule and Industry Canada license-exempt RSS standard(s). Operation is subject to the following two conditions: (1) This device may not cause harmful interference, and (2) this device must accept any interference received, including interference that may cause undesired operation. Le présent appareil est conforme aux CNR d'Industrie Canada applicables aux appareils radio exempts de licence. L'exploitation est autorisée aux deux conditions suivantes: (1) l'appareil ne doit pas produire de brouillage, et (2) l'utilisateur d'appareil doit accepter tout brouillage radioélectrique subi, même si le brouillage est susceptible d'en compromettre le fonctionnement.



The symbol means that according to local laws and regulations your product should be disposed of separately from household waste. When this product reaches its end of life, take it to a collection point designated by local authorities. Some collection points accept products for free. The separate collection and recycling of your product at the time of disposal will help conserve natural resources and ensure that it is recycled in a manner that protects human health and the environment.

# Manuel d'utilisation

## Garantie

Vous trouverez la garantie correspondant à cet appareil photo en suivant ce lien : [polaroidoriginals.com/warranty](http://polaroidoriginals.com/warranty)



## Contenu de la boîte

- 01 Appareil photo OneStep 2
- 02 Câble de recharge USB
- 03 Manuel d'utilisation
- 04 Sangle de l'appareil



## Comment utiliser le OneStep<sup>2</sup>

### Charger l'appareil photo

**Important** Le OneStep 2 ne sera pas totalement chargé au moment de l'achat. Il doit être complètement chargé avant la première utilisation. Pour charger l'appareil photo, branchez le câble de recharge USB dans le port micro USB de la face arrière de l'appareil, et l'autre extrémité du câble dans un chargeur, comme une prise murale munie d'un adaptateur pour smartphone ou le port USB de votre ordinateur. Le voyant LED rouge de chargement s'éteint quand la batterie est totalement chargée. Une charge complète dure généralement environ deux heures via une prise murale avec adaptateur pour smartphone, ou jusqu'à 3-4 heures via le port USB d'un ordinateur. Un appareil photo OneStep 2 complètement chargé dispose d'une autonomie suffisante pour traiter 15 à 20

cartouches de film, en fonction de l'utilisation. Pensez bien à éteindre l'appareil photo après chaque utilisation afin d'économiser la batterie.

### 1. Allumer/éteindre l'appareil

Pour allumer l'appareil, faites glisser l'interrupteur de mise sous tension en position ON (MARCHE) (bas). La LED de chargement du flash sur la face arrière commence à clignoter pour charger le flash et le compteur de photos restantes au sommet de l'appareil s'allume pour signaler que l'appareil est sous tension. Pour éteindre à nouveau l'appareil, faites glisser l'interrupteur de mise sous tension en position OFF (ARRÊT) (haut).

### 2. Charger la cartouche de film

Faites glisser le loquet pour ouvrir le couvercle du compartiment film. Poussez la cartouche de film jusqu'au bout, en plaçant le carton de protection du film (darkslide) vers le haut.

**Remarque** Veuillez

consulter l'emballage du film afin d'obtenir les informations relatives au temps de développement, à la manipulation et au stockage.

### 3. Fermer le compartiment film

Lorsque vous fermez le couvercle, le carton de protection du film (darkslide) est automatiquement éjecté de l'appareil, sous le protecteur de film (film shield). Le protecteur de film en plastique est conçu pour protéger les photos de la lumière durant leur développement. Il ne doit pas être retiré. Retirez le carton de protection du film du dessous du protecteur de film et laissez ce dernier s'enrouler sur lui-même.

Si le carton de protection du film n'a pas été éjecté, retirez la cartouche de film et insérez-la à nouveau, en veillant bien à l'enfoncer le plus possible vers le fond de l'appareil.

### 4. Régler le flash et éclaircir/assombrir

**Flash** Le flash de l'appareil se

déclenche par défaut lorsque vous prenez un cliché avec le OneStep 2. Pour prendre un cliché sans le flash, appuyez et maintenez enfoncé le bouton de neutralisation du flash sur la face arrière, puis appuyez sur le déclencheur.

**Avertissement** Le fait de prendre un cliché sans le flash réduira les performances de l'appareil et la qualité de la photo dans la plupart des conditions d'éclairage, à l'exception des environnements très lumineux et ensoleillés. Nous recommandons de toujours prendre des photos avec le flash.

**Éclaircir/assombrir** Utilisez le bouton éclaircir/assombrir à droite de l'objectif pour ajuster l'exposition de votre cliché. Pour obtenir une photo plus claire, déplacez le bouton éclaircir/assombrir vers la droite, en position plus/éclaircir. Pour obtenir une photo plus sombre, déplacez le bouton éclaircir/assombrir vers la gauche, en position moins/

assombrir. Ces deux réglages correspondent à des valeurs d'exposition (EV ou Exposure Values) différentes. Les valeurs d'exposition de l'appareil sont  $+1/2$  EV (quand vous déplacez le bouton vers la position plus/éclaircir) et  $-1/2$  EV (quand vous déplacez le bouton vers la position moins/assombrir).

#### 5. Utiliser le viseur

Le OneStep 2 utilise un viseur traditionnel situé à droite de l'objectif. Pour profiter de la précision maximale offerte par le viseur, alignez votre œil droit avec l'espace situé derrière le viseur.

**Remarque** N'oubliez pas que le viseur se trouve légèrement au-dessus et à droite de l'objectif de l'appareil – au-dessus et à gauche de votre point de vue lorsque vous prenez un cliché. Vous devez donc ajuster votre visée afin de composer correctement le cliché lorsque vous prenez une photo à des distances de 1,2 mètre ou moins.

#### 6. Composer son cliché

Pour éviter d'obtenir un cliché flou, tenez-vous à une distance minimale de 60 cm (2 ft) de votre sujet lorsque vous prenez un cliché. Pour obtenir un meilleur résultat, efforcez-vous toujours de placer la source de lumière derrière vous.

#### 7. Prendre le cliché

Appuyez à fond sur le déclencheur pour prendre la photo. La photo est éjectée de la fente avant de l'appareil dès que vous relâchez le déclencheur. Elle sera protégée de la lumière par le protecteur de film et restera en place jusqu'à ce que vous soyez prêt à la retirer.

#### 8. Retirer et protéger la photo

Retirez la photo du dessous du protecteur de film et laissez ce dernier s'enrouler sur lui-même. Placez la photo face vers le bas pour continuer à la protéger de la lumière durant le développement.

## Conseils supplémentaires

#### Utilisation du retardateur

Le OneStep 2 possède une fonction retardateur qui vous permet de figurer dans vos propres photos ou de créer des photographies parfaitement synchronisées.

Pour utiliser le retardateur, appuyez sur le bouton retardateur situé à gauche de l'objectif. Le bouton retardateur s'allumera en orange continu, afin de signaler son activation. Une fois votre cadre composé, appuyez sur le déclencheur.

Le retardateur utilise un intervalle de 8 secondes entre le moment où vous appuyez sur le déclencheur et la prise du cliché. Une fois le déclenchement activé, la LED du retardateur se mettra à clignoter orange pour indiquer le compte à rebours du retardateur. Dans les environnements lumineux, le flash de l'appareil clignotera à faible intensité pour indiquer le compte à rebours.

**Remarque** Lorsque vous utilisez le retardateur pour un cliché, le flash se déclenche automatiquement. Pour prendre des photos avec retardateur mais sans le flash, activez le retardateur, puis enfoncez et maintenez enfoncé le bouton de neutralisation du flash lorsque vous appuyez sur le déclencheur.

#### Déterminer le nombre de photos restantes

Le sommet de l'appareil comporte au total 8 voyants LED. Quand le OneStep 2 est allumé et ne se trouve pas en mode veille, les LED affichent constamment le décompte de photos. Le nombre de LED qui s'allument correspond au nombre de photos restantes dans la cartouche de film. Par exemple : si 6 voyants LED sont allumés, il reste 6 photos dans la cartouche de film. Si vous avez utilisé les 8 photos contenues dans la cartouche de film, ou si aucune cartouche de film n'a été insérée

dans l'appareil, les LED clignoteront rapidement lors de l'allumage de l'appareil.

#### Déterminer la charge de batterie restante

L'appareil comporte 3 états de batterie, indiqués par le voyant LED de charge du flash de l'appareil photo :

1. **Batterie chargée :**  
Charge suffisante pour au moins deux cartouches de film.

Le voyant LED clignotera en vert durant le temps de charge entre les clichés et s'allumera en vert continu lorsque l'appareil est prêt à prendre un cliché.

2. **Batterie faible :**  
Charge suffisante pour environ une cartouche de film.

Le voyant LED clignotera en orange durant le temps de charge entre les clichés et s'allumera en orange continu lorsque l'appareil est prêt à prendre un cliché.

3. **Batterie déchargée :**  
Aucune charge restante.

Le voyant LED clignotera en rouge et l'appareil cessera de fonctionner jusqu'à rechargement de la batterie.

Un appareil photo OneStep 2 complètement chargé dispose d'une autonomie suffisante pour traiter 15 à 20 cartouches de film, en fonction de l'utilisation. Pour vérifier en toutes circonstances l'état de charge de l'appareil, éteignez-le, puis rallumez-le tout en maintenant enfoncé le bouton du retardateur. Les 8 LED du compteur de photos au sommet de l'appareil s'allumeront, indiquant la charge de batterie restante.

Par exemple, si 6 voyants LED s'allument, cela signifie que l'appareil dispose d'une charge restante de 6/8 (75 %). Une fois que vous relâchez le bouton retardateur, les LED retournent à leur état normal et affichent le nombre de photos restantes dans votre cartouche de film.

#### Film compatible

Le OneStep 2 fonctionne avec

toutes les cartouches de film Polaroid Originals i-Type et type 600. Nous recommandons l'utilisation du film i-Type car il est optimisé pour une utilisation avec le OneStep 2.

#### Alimentation

Chargez le OneStep 2 avant utilisation afin de vous assurer qu'il disposera d'une charge suffisante pour la durée de votre séance photo (voir → **Charger l'appareil photo**). La LED de chargement de l'appareil brillera en rouge continu lorsque l'appareil est branché et en charge et s'éteindra une fois l'appareil totalement chargé.

#### Fixer la sangle à l'appareil

Voir les instructions page 8 pour installer la sangle.

#### Utiliser un trépied

La base du OneStep 2 comporte un filetage pour trépied, compatible avec la plupart des trépieds standard. Vissez simplement le plateau de votre trépied sur le OneStep 2.

**Remarque** Avec la plupart des trépieds, le plateau de trépied doit être dévissé avant qu'il ne soit possible de charger ou de changer la cartouche de film du OneStep 2.

### Nettoyer les rouleaux

Il arrive parfois qu'un excès de pâte de développement des photos s'accumule sur les rouleaux de l'appareil photo, provoquant une réduction de ses performances et l'apparition d'imperfections indésirables sur les clichés. Le OneStep 2 comporte un mode nettoyage de rouleaux intégré pour résoudre ce problème. Contentez-vous de suivre les étapes suivantes :

1. Éteignez l'appareil photo.
2. Ouvrez le compartiment film.
3. Maintenez enfoncé le bouton de neutralisation du flash sur la face arrière puis appuyez sur le déclencheur.
4. L'appareil photo se trouve désormais en mode nettoyage de rouleaux.

5. À l'aide d'un chiffon humide ou d'un coton-tige, nettoyez doucement les rouleaux.
6. Appuyez sur le déclencheur pour faire avancer pas-à-pas la position des rouleaux.
7. Une fois que les deux rouleaux sont propres des deux côtés, fermez le couvercle du compartiment film.
8. Les rouleaux reviendront automatiquement en position correcte.

## Dépannage et F.A.Q.

### Mon OneStep 2 refuse d'éjecter ma photo/le carton de protection du film (darkslide)

Assurez-vous que votre appareil photo OneStep 2 est chargé : la LED de chargement du flash de l'appareil clignotera en rouge si la charge est insuffisante pour assurer le fonctionnement. Dans ce cas, vous devez recharger l'appareil avant de l'utiliser à nouveau.

Assurez-vous qu'il reste du

film dans l'appareil : pour vérifier, éteignez puis rallumez l'appareil. Les LED du compteur de photos restantes indiqueront le nombre de photos restantes dans la cartouche. Si les LED clignotent rapidement lors du rallumage de l'appareil, cela signifie qu'il ne reste plus de photos dans la cartouche de film, ou qu'aucune cartouche de film n'est insérée.

### Le flash ne se déclenche pas lorsque je prends une photo

Lorsque vous prenez des photos, veillez bien à ne pas appuyer par mégarde sur le bouton de neutralisation du flash situé sur la face arrière de l'appareil.

### Ma photo est légèrement trop sombre

Nous recommandons fortement de toujours utiliser le flash pour les photos prises en intérieur, ainsi que pour celles prises en extérieur de nuit, au crépuscule ou par temps nuageux présentant

des conditions de luminosité réduites. Veillez bien à ne pas prendre de photos face au soleil, car le OneStep 2 mesure la luminosité ambiante moyenne qu'il perçoit. Lorsque vous prenez une photo face au soleil, la luminosité excessive peut provoquer une surcompensation lors de l'exposition du cliché, ce qui produit un cliché trop sombre pour que l'on puisse distinguer le sujet. Déplacez le bouton éclaircir/assombrir, situé du côté droit de l'objectif, vers la position plus/éclaircir pour un cliché plus lumineux.

### Ma photo est floue ou brouillée

Lorsque vous prenez un cliché, veillez bien à tenir fermement l'appareil, particulièrement dans des conditions de luminosité réduite, et veillez bien à disposer d'une source de lumière puissante pour éclairer votre sujet.

Nous recommandons fortement de toujours utiliser le flash pour les photos prises en intérieur, ainsi que pour celles

prises en extérieur de nuit, au crépuscule ou par temps nuageux présentant des conditions de luminosité réduites. Vous pouvez utiliser un trépied afin de stabiliser votre appareil photo.

Veillez bien à ne pas trop vous approcher de votre sujet lorsque vous prenez des photos. Afin d'éviter les photos floues et les problèmes de mise au point, vous devez vous placer à une distance minimale de 60 cm (2 ft) de votre sujet.

## Conseils pour prendre d'excellentes photos

### Prendre des photos en intérieur

Utilisez toujours le flash lorsque vous prenez des photos en intérieur, même lorsque vous pensez que cela n'est pas nécessaire. La lumière des éclairages intérieurs apparaît avec une teinte jaune sur le film instantané – le flash du OneStep 2 est conçu pour compenser ce phénomène.

### Prendre des photos de nuit

Lorsque vous prenez des photos de nuit, lors d'une soirée ou dans tout environnement intérieur ou extérieur de nuit, utilisez toujours le flash. Vous pouvez également tenter de déplacer le bouton éclaircir/assombrir vers la position plus/éclaircir afin d'obtenir un cliché plus lumineux.

### Prendre des photos en extérieur

La lumière naturelle est la meilleure amie des amateurs de photographie instantanée. Lors d'une journée ensoleillée, en extérieur, l'utilisation du flash est facultative. Veillez à ne pas prendre de photos face au soleil, qui éclaire votre sujet de face ou de côté.

Si votre environnement est très lumineux, vous pouvez tenter de déplacer le bouton éclaircir/assombrir vers la position moins/assombrir afin de réduire l'exposition et d'éviter tout problème de surexposition.

Dans toutes les situations autres que celles où vous bénéficiez d'une lumière du soleil intense et directe, nous recommandons d'utiliser le flash afin d'obtenir de meilleures photos.

### Prendre des photos de paysages

Lorsque vous désirez photographier un paysage, veillez

bien à ce que le soleil ou la principale source de lumière se trouve derrière vous afin d'éviter que l'image ne soit surexposée en raison d'une luminosité excessive.

Lors d'une journée nuageuse, sous un ciel couvert avec des conditions de luminosité faibles, il peut être souhaitable de placer l'appareil sur un trépied ou une surface stable afin de garantir une mise au point fiable de toute la scène.

## Service clientèle

L'équipe de service clientèle de Polaroid Originals est toujours heureuse de recevoir vos commentaires. Vous pouvez nous contacter en utilisant les informations de contact fournies ci-contre. Pour des informations plus détaillées et à jour, veuillez consulter le site [polaroidoriginals.com/help](http://polaroidoriginals.com/help)

## Spécifications techniques

### Général

#### Dimensions

150 mm (longueur) × 111 mm (largeur) × 97 mm (hauteur)

#### Poids

460 grammes

(sans cartouche de film)

#### Température de fonctionnement

4–42 °C / 40–108 °F, 5–90%

d'humidité relative

#### Films compatibles

Films Polaroid Originals i-Type et type 600 couleur et noir & blanc, y compris les éditions spéciales.

#### Batterie

Batterie lithium-ion 1100 mAh, 3,7 V de tension nominale, 4,07 Wh

### États-Unis/Canada

[usa@polaroidoriginals.com](mailto:usa@polaroidoriginals.com)  
+212 219 3254

### Europe/Reste du Monde

[service@polaroidoriginals.com](mailto:service@polaroidoriginals.com)  
00 800 577 01500

### Impossible B.V.

P.O. Box 242  
7500 AE Enschede  
Pays-Bas

### Matériaux

#### Coques externes

Polycarbonate + plastique ABS

#### Objectif

Objectif de qualité optique en polycarbonate, avec revêtement

#### Système de déclenchement

Conception sur mesure, avec un moteur pas à pas de précision

### Système optique

#### Objectif

Objectif à lentille fixe

#### Longueur de la focale

106 mm

#### Champ de vision

41° verticaux, 40° horizontaux

### Système de flash

Flash à tube à décharge à vide

## Informations de sécurité

### Avertissement RISQUE D'ÉLECTROCUTION – NE PAS OUVRIIR/DEMONTÉ LE SYSTÈME DE ROULEAUX MOTORISÉS

- Ne pas démonter l'appareil. Un rassemblement incorrect peut occasionner un risque d'électrocution si l'appareil est utilisé à nouveau.
  - Ne pas submerger l'appareil dans l'eau ou d'autres liquides.
  - Ne pas utiliser l'appareil dans un environnement à très fort taux d'humidité ou très poussiéreux.
  - Ne pas tenter d'altérer, d'ajuster ou de retirer la batterie et/ou les composants électroniques situés sous les rouleaux, derrière le compartiment film de l'appareil.
  - Ne pas tenter de retirer le couvercle du compartiment lui-même, car il est relié électroniquement au corps de l'appareil. Ces opérations sont dangereuses, endommageront en toute probabilité votre appareil et annuleront votre garantie.
  - Ne pas insérer d'objets métalliques dans le produit.
  - Ne pas insérer d'objet dans les rouleaux ou les engrenages.
  - Tenir l'appareil hors de portée des jeunes enfants ou des nourrissons afin d'éviter les risques de blessures dues aux éléments mobiles de l'appareil.
  - Ne pas utiliser ni entreposer l'appareil près d'une source de chaleur ou de tout équipement générant de la chaleur, y compris les amplificateurs stéréo.
  - Ne pas utiliser l'appareil à proximité de gaz inflammables ou explosifs.
  - Ne pas charger l'appareil si vous remarquez des odeurs, un bruit ou une fumée inhabituels.
  - Ne pas tenter de démonter la pile du film ni de la modifier d'aucune manière (si vous utilisez du film de type 600). En cas de projection de liquide de pile dans les yeux, rincer abondamment à l'eau fraîche courante et consulter immédiatement un médecin.
- Batterie et chargeur**
- L'appareil utilise une batterie lithium-ion conçue sur mesure, qui est inamovible et fixée à l'intérieur du boîtier. Aucun autre type de batterie ne peut être utilisé. Le remplacement de la batterie ne peut être réalisé que par un centre de dépannage autorisé. Si elle est utilisée de manière adéquate, la batterie fonctionnera pendant de nombreuses années en toute fiabilité.
  - La consommation électrique varie selon l'environnement dans lequel l'appareil est utilisé et la manière dont il a été entreposé. Utilisé immédiatement après une charge complète, la batterie permettra de traiter au maximum 20 cartouches de film avec déclenchement de flash. En raison des exigences énergétiques élevées du flash, nous recommandons de charger complètement l'appareil avant chaque séance photo pour obtenir de meilleurs résultats.
  - Une fois que le niveau de charge de la batterie chute au-dessous d'un certain niveau, l'appareil n'expose plus le film. La LED clignote et signale quand l'appareil doit être rechargé. Cela permet d'éviter qu'une photo ne se bloque dans l'appareil via le système de rouleaux.
  - La batterie rechargeable n'est pas complètement chargée au moment de l'achat. Chargez complètement la batterie à l'aide du chargeur USB (fourni). Cela prend environ 1 à 2 heures (peut varier en fonction de l'utilisation).
  - Le câble de chargement USB fourni a été testé et fonctionne avec les adaptateurs secteur pour Apple iPhone. Bien qu'il puisse être utilisé via d'autres types de port USB, par ex. ordinateur, adaptateurs secteur USB, TV, voitures, etc., nous ne pouvons garantir un fonctionnement adéquat.
  - Quand vous cesserez d'utiliser l'appareil, veuillez le recycler de manière adéquate.
- Environnement d'utilisation**
- Pour protéger la technologie haute précision contenue dans cet appareil, ne le laissez jamais dans les environnements suivants durant une période prolongée : températures élevées (supérieures à +42 °C/+108 °F), humidité élevée, lieux présentant des variations de température extrêmes (chaud et froid), directement exposé à la lumière du soleil, environne-

ments sablonneux ou poussiéreux comme des plages, des endroits humides ou présentant des conditions de vibration élevées.

- Ne laissez pas tomber l'appareil et ne lui faites pas subir de chocs ou de vibrations importantes.
- Aucune pression, traction ou torsion ne doit être exercée sur l'objectif.

## Conformité

### Directives importantes relatives à l'utilisation des batteries lithium-ion

1. Ne pas jeter dans le feu.
2. Ne pas provoquer de court-circuit.
3. Ne pas démonter.
4. Ne pas poursuivre l'utilisation si l'appareil est endommagé.
5. Éliminer de manière adéquate après usage.
6. Tenir éloigné de l'eau

### Déclaration européenne de conformité

Par la présente, Impossible B.V. déclare que l'appareil photo instantané analogique OneStep 2 est conforme aux exigences essentielles de la Directive en matière de compatibilité électromagnétique (2014/30/UE), de la Directive basse tension (2014/35/UE), de la Directive RoHS (2011/65/UE) et des autres dispositions en vigueur, lorsqu'il est utilisé aux fins auxquelles il est destiné.

### Déclaration de conformité FCC

Cet appareil est conforme à la section 15 du Règlement de la FCC. L'utilisation est soumise aux deux conditions suivantes : (1) cet appareil ne peut causer d'interférence nuisible, et (2) cet appareil doit accepter toutes les interférences reçues, y compris les interférences susceptibles de provoquer des problèmes de fonctionnement.

**Avertissement** L'utilisateur est averti que tout changement ou modification qui n'a pas été expressément approuvé par la partie responsable de la conformité est de nature à révoquer l'autorité dont dispose l'utilisa-

teur pour utiliser cet équipement. Cet équipement ne doit pas être colocalisé ni utilisé en combinaison avec toute autre antenne ou émetteur.

**Remarque** Cet équipement a été testé et certifié conforme aux limites pour un dispositif de Catégorie B, conformément à la section 15 des règles de la FCC. Ces limites sont conçues afin d'offrir une protection raisonnable contre les interférences nuisibles dans une installation résidentielle. Cet équipement génère, utilise et peut émettre de l'énergie radiofréquence et, s'il n'est pas installé et utilisé conformément aux instructions, peut provoquer des interférences nuisibles pour les communications radio. Néanmoins, aucune garantie n'est fournie quant à l'absence de toute interférence dans le cadre d'une installation particulière. Si cet équipement provoque des interférences nuisibles pour la réception des signaux de radio et de télévision, ce qui peut être détecté en éteignant et en rallumant l'appareil, nous suggérons à l'utilisateur de tenter une ou plusieurs des mesures correctives suivantes :

- Réorienter ou déplacer l'antenne de réception.
- Augmenter la distance entre l'équipement et le récepteur.
- Relier l'équipement à une prise d'un circuit différent de celui auquel est relié le récepteur.
- Consulter le revendeur ou un technicien radio/télévisé qualifié pour obtenir de l'aide.

Cet équipement est conforme aux limites définies par la FCC en matière d'exposition aux rayonnements pour un environnement non contrôlé. L'utilisateur final doit respecter les instructions d'utilisation spécifiées afin de respecter la conformité en matière d'exposition aux radiofréquences.

### Industrie Canada (IC)

Ce dispositif est conforme à la section 15 du règlement de la FCC et les normes d'exemption de permis d'Industrie Canada en matière de normes radioélectriques.

L'utilisation est soumise aux deux conditions suivantes : (1) cet appareil ne peut causer d'interférence nuisible, et (2) cet appareil doit accepter toutes les interférences reçues, y compris les interférences susceptibles de

provoquer des problèmes de fonctionnement. Le présent appareil est conforme aux CNR d'Industrie Canada applicables aux appareils radio exempts de licence. L'exploitation est autorisée aux deux conditions suivantes : (1) l'appareil ne doit pas produire de brouillage, et (2) l'utilisateur d'appareil doit accepter tout brouillage radioélectrique subi, même si le brouillage est susceptible d'en compromettre le fonctionnement.



Le symbole signifie que conformément aux lois et règlements locaux, votre produit doit être éliminé séparément des déchets ménagers. Quand ce produit atteint sa fin de vie, emmenez-le à un point de collecte désigné par les autorités. Certains points de collecte prennent gratuitement en charge les produits. La collecte et le recyclage sélectif de votre produit au moment de son élimination aident à préserver les ressources naturelles et à faire en sorte qu'il soit recyclé dans le respect de la santé humaine et de l'environnement.

# Manual de usuario

## **Garantía**

La garantía de esta cámara se encuentra  
en el siguiente enlace:  
[polaroidoriginals.com/warranty](http://polaroidoriginals.com/warranty)



## Contenido de la caja

- 01 Cámara OneStep 2
- 02 Cable Cargador USB
- 03 Manual de usuario
- 04 Correa de cuello para cámara



## Cómo utilizar la OneStep<sup>2</sup>

### Cargue la cámara

**Importante** La OneStep 2 no tiene la batería totalmente cargada en el momento de la compra. Cargue la cámara completamente antes de su primer uso. Para ello, conecte el cable USB en la ranura micro USB de la parte trasera de la cámara. El otro extremo deberá enchufarlo a una toma de corriente con un adaptador de teléfono inteligente o directamente en la ranura USB de su ordenador. Cuando la batería esté totalmente cargada, el LED rojo de carga se apagará. Por lo general, la cámara tarda unas dos horas en cargarse totalmente con un adaptador de teléfono inteligente o hasta 3 ó 4 horas si la carga a través de la ranura USB del ordenador. Con la batería totalmente cargada, la cámara OneStep 2 tiene suficiente energía para fotografiar entre 15 y 20 carretes, según el uso. Para conservar la

batería, recuerde apagar la cámara después de cada uso.

### 1. Encendido/apagado de la cámara

Para encender la cámara, deslice el interruptor de encendido hasta la posición "ON" (ENCENDIDO) (hacia abajo). El LED de carga del flash que está en el panel trasero, comenzará a parpadear para cargar el flash, y el contador de fotos que queda ubicado en la parte superior de la cámara se iluminará para indicarle que el dispositivo está encendido. Para apagar la cámara, deslice el interruptor hasta la posición "OFF" (APAGADO).

### 2. Colocación de la película

Deslice la palanca del compartimento de película para abrirlo. Introduzca el carrete de película hasta el final y con la lámina negra hacia arriba.

**Importante** Lea el embalaje del paquete de película para saber el tiempo de revelado, manipulación y almacenamiento.

### 3. Cierre del compartimento de película

Al cerrar el compartimento de película, la lámina negra saldrá automáticamente de la cámara, por debajo del protector de fotos. El protector de fotos de plástico está diseñado para evitar que la luz fuerte directa afecte las fotografías mientras se revelan: no lo quite. Extraiga la lámina negra. El protector de fotos regresará a su posición. Si la cámara no expulsa la lámina negra, saque el paquete de película y vuelva a colocarlo. Asegúrese de introducirlo hasta el fondo y de que quede fijo.

### 4. Ajuste del flash y de la luminosidad/oscuridad

**Flash** la cámara OneStep 2 disparará el flash de forma automática cada vez que saque una foto. Para cancelar el flash, mantenga presionado el botón de cancelación de flash por equivocación, en la parte trasera de la cámara, mientras pulsa el botón de disparo a la vez.

**Advertencia** Hacer fotografías sin flash reducirá el rendimiento de la cámara y la calidad de imagen en la mayoría de las condiciones de iluminación, excepto en condiciones soleadas o con mucha iluminación. Recomendamos hacer siempre fotos con flash.

**Aclarar/oscurecer** Utilice el interruptor de aclarar/oscurecer, que está a la derecha del objetivo, para ajustar la exposición de la captura. Si desea hacer fotos más claras, desplace el interruptor hacia la derecha, hasta la posición «más/aclarar». Para hacer fotos más oscuras, desplace el mando hacia la izquierda, hasta la posición «menos/oscurecer». Estos dos ajustes corresponden a diferentes valores de exposición (EV, según sus siglas en inglés). Los valores de exposición de la cámara son  $+1/2$  EV (cuando el interruptor se coloca en «más/aclarar») y  $-1/2$  EV (cuando el interruptor se coloca en «menos/oscurecer»).

### 5. Uso del visor

La cámara OneStep 2 utiliza un visor convencional, ubicado a la derecha del cilindro del objetivo. El visor es más preciso cuando el ojo derecho se alinea con el espacio detrás del visor.

**Importante** Recuerde que, como el visor está ubicado justo encima y a la derecha del objetivo de la cámara (encima y a la izquierda de su perspectiva al disparar), deberá ajustar su enfoque para que las fotos estén encuadradas al disparar a una distancia de 1,2 metros o menos.

### 6. Composición de su foto

Para evitar fotos borrosas, ponga el objetivo como mínimo a 60 cm (2 pies) de distancia del sujeto que vaya a fotografiar. Para obtener buenos resultados cuando saque fotos, procure que la fuente de luz esté siempre detrás de usted.

### 7. Realización de una foto

Pulse el botón de disparo para realizar una fotografía. En cuanto suelte el botón, la fotografía saldrá por la ranura frontal de la cámara, que estará resguardada de la luz gracias al protector de película. La foto estará ahí hasta que usted la extraiga.

### 8. Extracción y protección de la foto

Extraiga la foto que está debajo del protector de película para que el protector de plástico regrese a su posición en la cámara. Coloque la foto boca abajo para que continúe protegida de la luz mientras se revela.

## Instrucciones adicionales

### Uso del temporizador automático

El modelo OneStep 2 incluye una función de temporizador automático que permite que usted aparezca en la foto o realice fotos perfectamente sincronizadas sin ayuda de otra persona. Para utilizar esta función, pulse el botón del temporizador automático, a la izquierda del cilindro del objetivo. El botón del temporizador automático se iluminará en naranja para indicar que la función está activada. Tras encuadrar la escena, pulse el botón de disparo. El temporizador automático le deja 8 segundos desde que usted pulsa el botón de disparo hasta que se realiza la foto. Una vez activado, el LED naranja del temporizador automático parpadeará para indicar la cuenta atrás para sacar la foto. En ambientes luminosos o soleados, el flash de la cámara

también parpadeará con un flash corto y de baja energía.

**Importante** Al utilizar el temporizador automático, el flash se activará de forma automática. Para realizar fotos con temporizador sin flash, active el temporizador automático y luego mantenga presionado el botón de cancelación de flash mientras pulsa el botón de disparo al mismo tiempo.

#### **Cuántas fotos quedan en la cámara**

Hay 8 LED naranjas en la parte superior de la cámara. Cuando la OneStep 2 está encendida, pero no en modo de reposo, los LED le mostrarán las fotos que quedan con luz continua. La cantidad de LED encendidos corresponde a las fotos que quedan en el paquete.

Por ejemplo: si hay 6 LED encendidos, quedan 6 fotos en la cámara. Cuando haya hecho 8 fotos, o la cámara no reconozca un paquete de película en su interior, los LED

comenzarán a parpadear rápidamente cuando encienda la cámara.

#### **Cuánta batería me queda**

La cámara posee tres estados de batería, que se indican mediante el LED de carga del flash de la cámara:

1. **Batería cargada:**  
Carga suficiente para 2 paquetes de película como mínimo.

El LED del flash parpadeará en verde mientras se carga entre foto y foto, y quedará fijo en verde cuando la cámara esté lista para disparar.

2. **Batería baja:**  
Carga suficiente para 1 paquete de película aproximadamente.

El LED del flash parpadeará en naranja mientras se carga entre foto y foto, y quedará fijo en naranja cuando la cámara esté lista para disparar.

3. **Batería vacía:**  
Sin carga.

El LED del flash parpadeará en rojo, y la cámara se apagará hasta que se recargue.

Con la batería totalmente cargada, la cámara OneStep 2 tiene suficiente batería como para fotografiar entre 15 y 20 carretes, según el uso. Para verificar la carga de la cámara en cualquier momento, apáguela y vuelva a encenderla mientras mantiene presionado el botón del temporizador automático. Se encenderán los 8 LED del contador de exposiciones, en la parte superior de la cámara, para indicar el nivel de batería restante. Por ejemplo: si se encienden 6 LED, significa que a la cámara le quedan 6/8 de su carga (75%). Cuando suelte el botón del temporizador automático, los LED volverán a mostrar la cantidad de fotos que le quedan a la cámara.

#### **Película compatible**

La cámara OneStep 2 es compatible con todos los carretes Polaroid Originals de película i-Type y 600. Recomendamos utilizar la película i-Type, ya que está optimizada para la OneStep 2.

#### **Alimentación**

Cargue la OneStep 2 antes de utilizarla para asegurarse de que tenga suficiente batería para sus fotos (consulte la sección → **Cargue la cámara**). El LED de carga del flash se verá constantemente en rojo mientras la cámara esté conectada a la alimentación y cargando, y se apagará una vez que la batería alcance la carga completa.

#### **Colocación de la correa de cuello**

Consulte las instrucciones para enganchar la correa de cuello en la página 8.

#### **Uso de un trípode**

La cámara OneStep 2 posee un soporte para trípode en la base, que se adapta a la mayoría de los trípodes convencionales. Basta con enroscar el trípode en el soporte de la base de la OneStep 2.

**Importante** Con la mayoría de los trípodes, deberá desenroscar el soporte del trípode para poder sacar y

meter un paquete de película en la OneStep 2.

### Limpieza de los rodillos

Existen casos en que los rodillos de la cámara pueden llegar a acumular el sobrante de pasta procesadora, un problema que afecta el rendimiento de la cámara y genera imperfecciones en las fotos. La OneStep 2 incluye un modo de limpieza de rodillos para solucionar este problema. Sencillamente siga estos pasos:

1. Apague la cámara.
2. Abra el compartimento de película.
3. Mantenga presionado el botón de cancelación de flash a la vez que pulsa el botón de disparo.
4. La cámara pasará al modo de limpieza de rodillos.
5. Limpie suavemente los rodillos con un paño húmedo o un bastoncillo de algodón.
6. Pulse el botón de disparo para que los rodillos avancen poco a poco.
7. Cuando ambos rodillos es-

tén completamente limpios, cierre el compartimento de película.

8. Los rodillos regresarán a su posición original de forma automática.

## Solución de problemas y preguntas frecuentes

### La OneStep 2 no expulsa las fotos/lámina negra

Compruebe que la cámara OneStep 2 está cargada: el LED de carga del flash parpadeará en rojo si no tiene suficiente batería para sacar fotos. Si es así, recargue la cámara para poder utilizarla.

Asegúrese de que la cámara tenga película: para verificarlo, apague y encienda la cámara mediante el interruptor. Las luces indicadoras del contador de exposiciones restantes mostrarán cuántas fotos quedan en la cámara. Si los LED

parpadean rápidamente tras volver a encender la cámara, significa que ha sacado todas las fotos disponibles en el paquete de película o que no hay ninguna en el interior.

### El flash no se dispara al realizar una foto

Al hacer fotografías, asegúrese de no pulsar el botón de cancelación de flash por equivocación (ubicado en la parte trasera de la cámara).

### Mi foto salió muy oscura

Recomendamos que siempre realice fotos con flash, tanto en interiores como en exteriores de noche, al atardecer o en días nublados con luminosidad baja.

Asegúrese de no disparar de cara al sol. La OneStep 2 mide la luz media que registra. Al hacer fotos de cara a la luz solar, el exceso de luz puede provocar que la cámara compense el exceso al exponer la imagen, lo que va a hacer que salga una imagen tan oscura que no se perciba al sujeto de

la fotografía de forma correcta.

Deslice el mando de «aclarar/oscurecer», ubicado a la derecha del cilindro del objetivo, hasta la posición «más/aclarar» para obtener una imagen más clara.

### Mi foto salió borrosa o difusa

Al disparar, asegúrese de mantener la cámara estable, especialmente en condiciones de luminosidad baja, y de tener una fuente de luz que ilumine bien la escena.

Recomendamos que siempre realice fotos con flash, tanto en interiores como en exteriores de noche, al atardecer o en días nublados con luminosidad baja. Asimismo, puede utilizar un trípode para que la cámara tenga una base estable.

Asegúrese de no colocarse demasiado cerca del sujeto al hacer fotos. Para que las fotos no salgan borrosas ni desenfocadas, mantenga una distancia mínima de 60 cm (2 pies) del sujeto que vaya a fotografiar.

## Consejos para hacer fotografías impresionantes

### Fotografías en interiores

Cuando haga fotos en interiores, utilice siempre el flash, incluso cuando crea que no es necesario. La luz de interiores hace que las fotos analógicas salgan amarillas: el flash de la OneStep 2 está diseñado para compensarla.

### Hacer fotografías de noche

Al hacer fotos en una fiesta (o en interiores de noche), utilice siempre el flash. También puede deslizar el mando de aclarar/oscurecer hasta la posición «más/aclarar» para obtener una foto con más luz.

### Fotografías en exteriores

La luz natural es su mejor aliada a la hora de hacer fotografías instantáneas. En días soleados, en exteriores, no hace falta que use el flash en absoluto. Asegúrese de no hacer fotografías

con el sol de frente; colóquese de espaldas al sol y de frente o perpendicularmente al sujeto que fotografiará.

Si el ambiente es demasiado luminoso, puede probar a deslizar el mando de aclarar/oscurecer hasta la posición «menos/oscurecer» para que la cámara capture menos luz y no «queme» la foto.

En situaciones en las que no haya luz solar directa y luminosa, recomendamos utilizar siempre el flash para lograr las mejores capturas.

### Fotografías en modo panorámico

Al hacer fotografías en modo panorámico, asegúrese de que la luz solar o fuente luminosa principal quedan detrás de usted para evitar que la imagen salga «sobreexpuesta» por el exceso de luz. En días nublados o días cubiertos con baja luminosidad, lo recomendable es colocar la cámara sobre un trípode o superficie plana para que sea más fácil mantener enfocada toda la escena.

## Atención al cliente

El equipo de atención al cliente de Polaroid Originals estará siempre encantado de recibir consultas. Utilice los detalles que aparecen a continuación para ponerse en contacto con nosotros. Para recibir información más detallada y actualizada visite [polaroidoriginals.com/help](http://polaroidoriginals.com/help)

### EE.UU./Canadá

[usa@polaroidoriginals.com](mailto:usa@polaroidoriginals.com)  
+212 219 3254

### Europa/Resto del Mundo

[service@polaroidoriginals.com](mailto:service@polaroidoriginals.com)  
00 800 577 01500

### Impossible B.V.

P.O. Box 242  
7500 AE Enschede  
Países Bajos

## Especificaciones técnicas

### Generales

#### Dimensiones

150mm (Largo) × 111mm (Ancho) × 97mm (Alto)

#### Peso

460 gramos (sin el carrete de película)

#### Temperatura operativa

4–42 °C / 4–108 °F, 5–90% de humedad relativa

#### Película compatible

Películas Polaroid Originals i-Type y 600 en blanco y negro, y en color, incluidas las ediciones especiales.

#### Batería

Batería de iones de litio de alto rendimiento de 1100mAh, voltaje nominal 3.7V, 4.07Wh

### Materiales

#### Cubiertas exteriores

Policarbonato + plásticos ABS

#### Lente

Lente de policarbonato de calidad óptica, recubierta

#### Sistema del disparador

Diseño personalizado, con motor de pasos de precisión

### Sistema óptico

#### Lente

Lente focal fija

#### Distancia focal

106 mm

#### Campo de visión

41 grados vertical  
40 grados horizontal

### Sistema de flash

Flash de tubo de descarga por vacío

## Información sobre seguridad

**Precaución** PELIGRO DE ELECTROCUCIÓN – NO ABRA NI DESMONTE EL SISTEMA DE RODILLOS MOTORIZADOS

- No desmonte el dispositivo. Si lo ensambla de forma incorrecta, puede sufrir una descarga eléctrica al utilizar el dispositivo nuevamente.
- No sumerja el equipo en agua u otros líquidos.
- No utilice el dispositivo en ambientes con humedad elevada o demasiado polvo.
- No intente alterar, ajustar ni quitar la batería y/o las piezas electrónicas ubicadas debajo de los rodillos, detrás de la tapa del compartimento de película del equipo.
- No intente quitar la tapa por sus propios medios, ya que está conectada al cuerpo de la cámara por medios electrónicos. Es peligroso, puede dañar el dispositivo y anulará la garantía.
- No introduzca objetos metálicos en el aparato.
- No introduzca objetos en los rodillos o mecanismos.
- Mantenga a los niños pequeños y recién nacidos lejos del dispositivo para evitar que se lastimen con las partes móviles.
- No utilice ni guarde la cámara cerca de fuentes de calor o equipos que generen calor, incluidos amplificadores estéreo.
- No utilice el dispositivo cerca de gases inflamables o explosivos.
- No cargue el dispositivo si percibe olores inusuales, ruidos o humo.
- No intente desmontar la batería de la película o modificarla de ninguna manera (si utiliza películas tipo 600). Si el líquido de la batería entra en contacto con la vista, lávese los ojos con agua potable fresca y fría, y solicite atención médica inmediata.

### Batería y cargador

- Este dispositivo utiliza una batería de iones de litio personalizada que no puede extraerse y está instalada dentro del cuerpo de la cámara. No utilice otro tipo de batería. El reemplazo de la batería solo debe realizarse en los centros de servicio autorizados. La batería tendrá una

vida útil prolongada si se mantiene en las condiciones correctas.

- El consumo de energía varía según el ambiente en el que se utiliza el dispositivo y la forma en que este se almacena. Inmediatamente después de realizar la carga por completo, la batería permite fotografiar hasta 20 paquetes de película con exposiciones con flash. Dado el elevado consumo de energía del flash, recomendamos realizar una carga completa de la cámara antes de cada sesión, para disfrutar de los mejores resultados.
- Cuando la carga de la batería se encuentre por debajo de un nivel determinado, la cámara no hará fotografías. El LED parpadeará para que usted sepa cuándo debe cargar la cámara. Este sistema evita que las fotografías queden enganchadas mientras se procesan a través del sistema de rodillos.
- La batería recargable no viene totalmente cargada de fábrica. Carguela al máximo con el cable USB (incluido). El proceso tarda entre 1 y 2 horas (puede variar según el uso).
- Se ha probado que el cable cargador USB proporcionado funciona con los adaptadores de corriente del Apple iPhone. Si bien puede utilizarse en otros puertos USB, por ejemplo, ordenadores, adaptadores de corriente USB, TV, coches, etc., no podemos garantizar el funcionamiento correcto de este accesorio.
- Cuando ya no utilice el dispositivo, deséchelo de forma correcta.

### Entorno de uso

- Para proteger la tecnología de alta precisión incluida en este dispositivo, nunca deje la cámara en los siguientes ambientes durante períodos prolongados: temperaturas elevadas (+42 °C/108 °F); nivel de humedad alto; sitios con cambios de temperatura extremos (frio y calor); luz solar directa; ambientes arenosos o polvorientos, como playas, sitios húmedos o sitios que sufran vibraciones fuertes.
- No deje caer el dispositivo ni lo someta a golpes o vibraciones fuertes.
- No tire, empuje ni presione la lente.

## Cumplimiento de la normativa

### Instrucciones importantes sobre el uso de baterías de iones de litio

1. No las arroje al fuego.
2. No ocasione un cortocircuito en las baterías.
3. No las desmonte.
4. No las continúe utilizando si están dañadas.
5. Deséchelas de forma correcta después de usarlas.
6. Manténgalas alejadas del agua.

### Declaración de conformidad de la UE

Por el presente, Impossible B.V. declara que la cámara analógica instantánea OneStep 2 cumple los requisitos básicos que se establecen en la Directiva de Compatibilidad Electromagnética (2014/30/UE), la Directiva sobre Baja Tensión (2014/35/UE) y la Directiva sobre Restricciones a la Utilización de Determinadas Sustancias Peligrosas (RoHS) (2011/65/UE), así como en otras disposiciones aplicables, cuando se utiliza con su fin previsto.



Este símbolo indica que, de acuerdo con las normas y reglamentaciones locales, el producto debe desecharse separado de los residuos domésticos. Cuando este producto llegue al final de su vida útil, llévelo a cualquiera de los puntos de recolección que indican las autoridades locales. Ciertos puntos de recolección aceptan productos sin carga. La recolección y el reciclaje por separado del producto al momento de descharlo ayudará a preservar los recursos naturales y garantizará que este se recicle de un modo que proteja la salud humana y el medioambiente.

# Manuale utente

## **Garanzia**

La garanzia per questa fotocamera è  
reperibile al seguente link:  
[polaroidoriginals.com/warranty](https://polaroidoriginals.com/warranty)

## Contenuto della scatola

- 01 Fotocamera OneStep 2
- 02 Cavo di ricarica USB
- 03 Manuale utente
- 04 Tracolla per la fotocamera



## Come utilizzare la OneStep<sup>2</sup>

### Ricarica della fotocamera

**Importante** La OneStep 2 non sarà completamente carica al momento dell'acquisto. La batteria deve essere totalmente ricaricata prima dell'utilizzo. Per caricare la fotocamera, inserire il cavo di ricarica USB nella porta per micro USB sul pannello posteriore della fotocamera, e inserire l'altra estremità del cavo in un'unità di ricarica come un adattatore per smartphone o la porta USB del vostro computer. Il LED di ricarica flash rosso si spegnerà quando la batteria sarà completamente carica. Una ricarica completa richiede di norma circa 2 ore tramite una presa a muro con un adattatore per smartphone oppure fino a 3-4 ore tramite una porta USB del computer. Una fotocamera OneStep 2 completamente carica avrà un'autonomia sufficiente per utilizzare 15-20 caricatori, a seconda delle

impostazioni di scatto. Ricordarsi di spegnere l'apparecchio dopo ogni uso per mantenere la durata della batteria.

### 1. Accensione/spengimento della fotocamera

Per accendere la fotocamera, spostare l'interruttore verso il basso sulla posizione ON. Il LED di ricarica del flash posto sulla parte posteriore dell'apparecchio comincerà a lampeggiare per caricare il flash, e il contatore della pellicola disponibile posizionato sulla parte superiore della fotocamera si illuminerà per indicare che la fotocamera è accesa. Per spegnere di nuovo la fotocamera, riportare l'interruttore nella posizione OFF.

### 2. Caricamento della pellicola

Far scorrere la chiusura a scatto dello sportello per aprire il vano della pellicola. Inserire completamente il caricatore della pellicola, con il cartoncino nero di protezione della pellicola rivolto verso l'alto.

**Nota** Controllare le singole confezioni di pellicole riguardo a dettagli su tempi di sviluppo, funzionamento e conservazione.

### 3. Chiusura dello sportello del vano pellicola

Quando si chiude lo sportello del vano pellicola, il cartoncino nero di protezione verrà espulso automaticamente dalla fotocamera sotto la linguetta retrattile di protezione. Questa linguetta di plastica è studiata per proteggere le immagini dalla luce durante lo sviluppo e non deve essere rimossa. Estrarre il cartoncino nero di protezione da sotto la linguetta e lasciare che quest'ultima si arrotoli nuovamente. Se il cartoncino nero di protezione non è stato espulso, estrarre la pellicola e reintrodurla, verificando che sia inserita fino in fondo.

### 4. Impostazione del Flash e del tasto Controllo Chiaro/Scuro

**Flash** Il flash della fotocamera si attiva automaticamente



quando si scatta con OneStep 2. Per scattare una foto senza flash, tenere premuto il pulsante di esclusione del flash posizionato nella parte posteriore, premendo contemporaneamente il pulsante dell'otturatore.

**Attenzione** scattare le foto senza flash riduce le prestazioni della fotocamera e la qualità dell'immagine nelle situazioni di maggiore luce, fatta eccezione per ambienti soleggiati e luminosi. Si consiglia di scattare sempre le foto con il flash.

#### Controllo Chiaro/Scuro

Usare l'interruttore +/- posizionato a destra dell'obiettivo per regolare l'esposizione dello scatto. Per ottenere una foto più luminosa, spostare l'interruttore +/- a destra verso la posizione "+ (Chiaro)". Per ottenere una foto più scura, spostare l'interruttore a sinistra verso la posizione "- (Scuro)". Queste due impostazioni corrispondono a valori di esposizione (EV) diversi. I valori di

esposizione della fotocamera sono + $\frac{1}{2}$  EV (spostando l'interruttore verso "+ (Chiaro)") e - $\frac{1}{2}$  EV (spostando l'interruttore verso "- (Scuro)").

#### **5. Utilizzo del Mirino**

La OneStep 2 usa un mirino tradizionale posizionato a destra dell'obiettivo. Il mirino raggiunge la massima precisione quando si allinea l'occhio destro con il mirino stesso.

**Nota** Ricordarsi che il mirino è posizionato leggermente al di sopra e a destra dell'obiettivo della fotocamera (sopra e a sinistra rispetto alla vostra prospettiva durante lo scatto): è necessario tenerne conto quando si scatta a una distanza pari o inferiore a 1,2 metri.

#### **6. Composizione della fotografia**

Per evitare di scattare una foto sfocata, assicurarsi di essere almeno a 60 cm dal soggetto che si intende fotografare. Per ottenere risultati migliori,

fotografare sempre con la sorgente luminosa alle vostre spalle.

#### **7. Scatto della foto**

Premere fino in fondo il pulsante dell'otturatore per scattare la foto. La foto sarà espulsa dalla fessura posizionata sulla parte frontale della fotocamera non appena si rilascia il pulsante dell'otturatore. La linguetta retrattile proteggerà la foto dall'esposizione alla luce subito dopo lo scatto. Mantenerla quindi in posizione fino a quando non ci sono le condizioni per rimuoverla.

#### **8. Rimozione e protezione della fotografia**

Estrarre la foto da sotto la linguetta di protezione e lasciare che quest'ultima si arrotoli nuovamente all'interno della fotocamera. Rivolgere la fotografia a faccia in giù per continuare a proteggerla dalla luce durante lo sviluppo.

## Ulteriori istruzioni

#### **Uso dell'autoscatto**

La OneStep 2 dispone di una funzione di autoscatto che vi consentirà di essere uno dei soggetti delle vostre foto o di creare fotografie con tempi perfetti. Per usare l'autoscatto, premere il pulsante dell'autoscatto a sinistra dell'obiettivo. Il pulsante dell'autoscatto si accenderà con luce fissa arancione, indicando così che la funzione è attivata. Una volta inquadrata la foto, premere il pulsante dell'otturatore. L'autoscatto utilizza un intervallo di 8 secondi tra il momento in cui viene premuto il pulsante dell'otturatore e il momento dello scatto della foto. Una volta innescato l'autoscatto, il LED arancione inizierà a lampeggiare indicando il conto alla rovescia. In ambienti più luminosi o in giornate soleggiate il conto alla rovescia verrà indicato anche dal flash con brevi e deboli lampeggi.

**Nota** Quando si usa l'autoscatto, il flash si attiva automaticamente. Per ottenere foto con l'autoscatto senza il flash, attivare l'autoscatto, quindi tenere premuto il pulsante di esclusione del flash mentre si preme il pulsante dell'otturatore.

### Scatti rimanenti nel caricatore

Nella parte superiore della fotocamera sono posizionate 8 luci LED arancioni. Quando la OneStep 2 è accesa e non è in modalità "sleep", i LED indicano sempre il numero di scatti. Il numero di LED accesi corrisponde al numero di scatti disponibili nel caricatore.

Ad esempio, se sono accesi 6 LED, significa che nel caricatore sono ancora disponibili 6 scatti. Se sono stati usati tutti gli 8 scatti, o se nella fotocamera non è stato inserito alcun caricatore, i LED lampeggeranno rapidamente quando si accende l'apparecchio.

### Autonomia residua della batteria

La fotocamera ha 3 stati della batteria, indicati dalla luce LED di carica del flash della fotocamera:

#### 1. Batteria carica:

Carica sufficiente per almeno 2 caricatori di pellicola. Il LED verde del flash lampeggerà mentre la ricarica è in corso tra uno scatto e l'altro, e rimarrà acceso quando l'apparecchio è pronto per scattare.

#### 2. Batteria parzialmente carica:

Carica sufficiente per circa un caricatore.

Il LED arancione del flash lampeggerà mentre la ricarica è in corso tra uno scatto e l'altro, e rimarrà acceso quando l'apparecchio è pronto per scattare.

#### 3. Batteria scarica:

Nessuna carica residua. Il LED rosso del flash lampeggerà e la fotocamera smetterà di funzionare fino a nuova ricarica.

Una fotocamera OneStep 2 completamente carica avrà un'autonomia sufficiente per utilizzare 15-20 caricatori di pellicola, a seconda delle

impostazioni di scatto. Per controllare in qualsiasi momento il livello della batteria della fotocamera, spegnere l'apparecchio, quindi riaccenderlo tenendo premuto il pulsante dell'autoscatto. Gli 8 LED del contatore della pellicola posizionate sulla parte superiore della fotocamera si accenderanno, indicando l'autonomia residua della batteria. Ad esempio, se si accendono 6 LED, significa che la fotocamera ha ancora 6/8 (75%) di carica. Una volta rilasciato il pulsante dell'autoscatto, i LED visualizzeranno di nuovo il numero di scatti disponibili nel caricatore.

### Pellicola compatibile

La OneStep 2 funziona con tutte le pellicole Polaroid Originals 600 e i-Type. Si consiglia l'utilizzo di pellicole della serie i-Type, in quanto ottimizzate per l'uso con la OneStep 2.

### Alimentazione

Caricare la OneStep 2 prima dell'uso per garantire

un'alimentazione sufficiente per la durata dell'utilizzo (vedi → **Ricarica della fotocamera**). Il LED rosso della ricarica flash rimarrà acceso mentre la fotocamera è collegata e si sta caricando, e si spegnerà una volta completata la ricarica dell'apparecchio.

### Applicazione della tracolla

Vedere le istruzioni su come applicare la tracolla a pagina 8.

### Uso del treppiede

La OneStep 2 è dotata di un attacco per treppiede posizionato nella parte inferiore, compatibile con la maggior parte dei treppiedi standard. È sufficiente avvitare la struttura del treppiede alla OneStep 2.

**Nota** Con la maggior parte dei treppiedi occorrerà svitarne la struttura prima di poter caricare o sostituire la pellicola nell'apparecchio.

### Pulizia dei rulli

Talvolta, la pasta per lo sviluppo delle foto in eccesso può

formare residui sui rulli della fotocamera che compromettono le prestazioni della fotocamera stessa e causano imperfezioni indesiderate sulle foto. La OneStep 2 è dotata di una modalità di pulizia dei rulli incorporati per affrontare il problema. È sufficiente effettuare le seguenti operazioni:

1. Spegnerne la fotocamera.
2. Aprire lo sportello del vano pellicola.
3. Tenere premuto il pulsante di esclusione del flash mentre si preme il pulsante dell'otturatore.
4. La fotocamera è ora nella modalità di pulizia dei rulli.
5. Usare un panno umido o tamponare con il cotone per pulire delicatamente i rulli.
6. Premere il pulsante dell'otturatore per far avanzare in modo incrementale le posizioni dei rulli.
7. Una volta puliti i rulli da ogni lato, chiudere lo sportello del vano pellicola.
8. I rulli tornano automaticamente nella loro posizione corretta.

## Risoluzione problemi e FAQ

### La mia OneStep 2 non espelle la foto/il cartoncino nero di protezione

Controllare che la fotocamera OneStep 2 sia carica: il LED di carica dell'apparecchio lampeggerà rosso se la carica non è sufficiente per far funzionare la fotocamera. In questo caso, occorre ricaricare la fotocamera prima di usarla di nuovo.

Verificare che nella fotocamera sia ancora presente la pellicola: per controllare, spostare l'interruttore su OFF e poi su ON. I LED del contatore della pellicola residua indicheranno quanti scatti sono ancora disponibili nel caricatore. Se i LED lampeggiano rapidamente una volta riaccesa la fotocamera, significa che nel caricatore non sono rimasti scatti da eseguire o che non è inserito alcun caricatore.

### Il flash non si accende quando scatto una foto

Quando si scatta una foto, assicurarsi di non premere accidentalmente il pulsante di esclusione del flash, posizionato sul pannello posteriore della fotocamera.

### Le foto risultano troppo scure

Si consiglia di usare sempre il flash quando si scattano le foto in interni, all'aperto di notte, al tramonto e in giornate nuvolose con poca luce.

Prestare attenzione a non scattare le foto avendo il sole di fronte; la OneStep 2 misura il livello medio di luce che rileva. Quando si scattano le foto con il sole di fronte, la luce eccessiva può causare una sovracompensozione dell'esposizione nella fotocamera, risultando così in un'immagine troppo scura.

Per ottenere un'immagine più luminosa, spostare l'interruttore Controllo Chiaro / Scuro collocato sul lato destro dell'obiettivo verso la posizione "+ / (Chiaro)".

### La mia foto è sfocata o non nitida

Quando si scatta una foto, assicurare di non premere accidentalmente il pulsante di esclusione del flash, posizionato sul pannello posteriore della fotocamera. Si consiglia di usare sempre il flash quando si scattano le foto in interni, all'aperto di notte, al tramonto e in giornate nuvolose con poca luce. È anche possibile usare un treppiede per garantire alla fotocamera una base stabile. Verificare di non essere troppo vicini al soggetto quando si scatta la foto. Per evitare foto non nitide e non a fuoco, si consiglia di scattare a una distanza di almeno 60 cm dal soggetto.

## Consigli per realizzare foto perfette

### Foto in interni

Usare sempre il flash quando si scattano foto in interni, anche quando non lo si ritiene necessario. La luce di ambienti interni appare gialla sulla pellicola analogica: il flash della OneStep 2 è studiato per compensare questo fenomeno.

### Foto notturne

Usare sempre il flash quando si scattano foto a una festa o in qualsiasi ambiente con luce notturna. Si consiglia inoltre di spostare l'interruttore Controllo Chiaro / Scuro nella posizione "+ / (Chiaro)" per ottenere uno scatto più luminoso.

### Foto all'aperto

La luce naturale è il migliore alleato della fotografia istantanea. In una giornata soleggiata, all'aperto non è necessario usare il flash. Scattare avendo il sole alle spalle, con il

soggetto direttamente di fronte o di fianco. Se l'ambiente è molto luminoso, si consiglia di spostare l'interruttore Controllo Chiaro / Scuro verso la posizione "- / (Scuro)" al fine di evitare che la foto risulti sovraesposta.

In tutte le situazioni in cui non si scattano foto direttamente alla luce del sole, si consiglia di usare il flash per ottenere risultati ottimali.

### Foto di paesaggi

Per fotografare un paesaggio, verificare che il sole o la fonte luminosa principale si trovino alle spalle per evitare che l'immagine sia abbagliata. In una giornata nuvolosa o coperta e con poca luce, può essere una soluzione valida posizionare la fotocamera su un treppiede o su una superficie stabile che faciliterà la messa a fuoco dell'intera scena.

## Assistenza clienti

Il team dell'assistenza clienti di Polaroid Originals è a vostra disposizione e sarà lieto di potervi aiutare. Per ricevere assistenza, rivolgersi ai contatti riportati qui a fianco. Per maggiori dettagli e informazioni aggiornate, consultare [polaroidoriginals.com/help](http://polaroidoriginals.com/help)

### USA/Canada

[usa@polaroidoriginals.com](mailto:usa@polaroidoriginals.com)  
+212 219 3254

### Europa/Resto del mondo

[service@polaroidoriginals.com](mailto:service@polaroidoriginals.com)  
00 800 577 01500

### Impossible B.V.

P.O. Box 242  
7500 AE Enschede  
Paesi Bassi

## Scheda tecnica

### Generali

#### Dimensioni

150 mm (Lunghezza) × 111 mm (Larghezza) × 97 mm (Altezza)

#### Peso

460 grammi

(senza il caricatore)

#### Temperatura operativa

4-42 °C / 40-108 °F, 5-90% umidità relativa

#### Pellicole compatibili

Pellicole per fotocamere Polaroid Originals i-Type e 600 a colori e in bianco e nero, comprese le edizioni speciali

#### Batteria

Batteria agli ioni di litio a elevata prestazione, 1100 mAh, 3,7 V tensione nominale, 4,07 Wh

### Materiali

#### Involucri esterni

Policarbonato + plastica ABS

#### Obiettivo

Lente ottica sfumata

in policarbonato, rivestita

#### Sistema dell'otturatore

Design personalizzato, con motore passo passo di precisione

### Sistema ottico

#### Obiettivo

Lente a fuoco fisso

#### Lunghezza focale

106 mm

#### Campo di visuale

41 gradi in verticale, 40 gradi in orizzontale

### Sistema flash

Strobo con tubo scarico a vuoto

## Informazioni di sicurezza

**Attenzione** RISCHIO DI SCOSSA ELETTRICA – NON APRIRE/SMONTARE IL SISTEMA A RULLI MOTORIZZATO

- Non smontare il dispositivo.
- Un riassieme non corretto può causare scossa elettrica nel dispositivo se usato di nuovo.
- Non immergere il dispositivo in acqua o in altri liquidi.
- Non usare il dispositivo in ambiente ad elevata umidità o in ambienti molto polverosi.
- Non tentare di manomettere, regolare o rimuovere la batteria e/o l'elettronica posizionata al di sotto dei rulli dietro lo sportello del vano pellicola del dispositivo.
- Non tentare di rimuovere lo sportello stesso, in quanto è collegato elettronicamente al corpo del dispositivo. Un uso di questo tipo non è sicuro, probabilmente danneggerà il dispositivo ed annullerà la garanzia.
- Non inserire oggetti di metallo nel prodotto.
- Non inserire oggetti nei rulli o negli ingranaggi.
- Tenere bambini piccoli e neonati lontani dal dispositivo per evitare che le parti mobili dell'apparecchio possano arrecare loro lesioni.
- Non usare o conservare il dispositivo vicino a fonti di calore o a qualsiasi tipo di apparecchio che generi calore, tra cui gli amplificatori stereo.
- Non usare il dispositivo vicino a gas infiammabili o esplosivi.
- Non caricare il dispositivo in caso di odore, rumore o fumo inusuali.
- Non tentare di smontare la batteria della pellicola o di modificarla (se si usano pellicole per la serie 600). Se il liquido della batteria entra in contatto con gli occhi, lavare immediatamente gli occhi con acqua fresca e richiedere immediatamente l'intervento di un medico.

### Batteria e unità di ricarica

- Il dispositivo usa una specifica batteria agli ioni di litio non estraibile e montata all'interno del corpo della fotocamera. Non usare nessun altro tipo di batteria. La sostituzione della batteria può essere

effettuata solo da centri di assistenza autorizzati. La batteria avrà una durata di molti anni, se usata in modo corretto.

- Il consumo di energia varia a seconda dell'ambiente in cui il dispositivo è usato e le condizioni di conservazione. Usata subito dopo la ricarica completa, la batteria può garantire il trattamento di un massimo di 20 caricatori con esposizioni con flash. Poiché il flash comporta un elevato consumo di batteria, raccomandiamo di caricare completamente la fotocamera prima di ogni sessione, in modo da ottenere i risultati migliori.
- Quando il livello di energia della batteria scende al di sotto di una certa percentuale, il dispositivo non elaborerà più la pellicola. Il LED lampeggerà e segnerà quando occorre ricaricare l'apparecchio. Questo serve per evitare che una foto si inceppi nel sistema dei rulli durante l'elaborazione.
- La batteria ricaricabile non è completamente carica al momento dell'acquisto. Ricaricare completamente la batteria con l'unità di ricarica USB (in dotazione). Questa operazione richiede di norma 1-2 ore (può variare a seconda dell'uso).
- Il cavo di ricarica USB fornito è stato testato per il funzionamento con adattatori di alimentazione per iPhone Apple. Se usato in altre porte USB, ad esempio di computer, adattatori di alimentazione USB, TV, auto e così via, non è possibile garantirne il funzionamento corretto.
- Quando il dispositivo non è più in uso, riciclarlo in modo corretto.

### Ambiente di utilizzo

- Per proteggere la tecnologia ad alta precisione contenuta nel dispositivo, non lasciare mai la fotocamera esposta alle seguenti condizioni per lunghi intervalli di tempo: temperature elevate (+42 °C/108 °F), umidità elevata, luoghi con variazioni estreme di temperatura (caldo e freddo), luce solare diretta, ambienti sabbiosi o polverosi quali spiagge, locali umidi o luoghi soggetti a forti vibrazioni.
- Non far cadere il dispositivo, non sottoporlo a colpi o vibrazioni pesanti.
- Non schiacciare, tirare o premere l'obiettivo.

## Conformità

### Norme importanti per l'uso delle batterie agli ioni di litio

1. Non gettare nel fuoco.
2. Non provocare corto circuito.
3. Non smontare.
4. Non continuare a usarle se danneggiate.
5. Smaltire in modo corretto dopo l'utilizzo.
6. Tenere lontano dall'acqua.

### Dichiarazione di conformità UE

Con la presente, Impossible B.V. dichiara che la fotocamera istantanea analogica OneStep 2 è conforme ai requisiti essenziali della Direttiva sulla compatibilità elettromagnetica (2014/30/UE), della Direttiva sulla bassa tensione (2014/35/UE) e della Direttiva RoHS (2011/65/UE) e ad altre disposizioni rilevanti, quando impiegata per lo scopo a cui è destinata.



Questo simbolo indica che ai sensi delle leggi e dei regolamenti locali il prodotto deve essere smaltito separatamente dai rifiuti domestici. Quando il prodotto ha esaurito il suo ciclo di vita, portarlo in un punto di raccolta stabilito dalle autorità locali. Alcuni punti di raccolta accettano i prodotti gratuitamente. La raccolta separata e il riciclaggio del prodotto al momento dello smaltimento contribuirà a conservare le risorse naturali e a garantire un riciclo all'insegna di criteri che proteggono la salute umana e l'ambiente.

# Benutzer- handbuch

## **Gewährleistung**

Unsere Gewährleistungsbedingungen für diese Kamera finden Sie hier:  
[polaroidoriginals.com/warranty](https://polaroidoriginals.com/warranty)

## Lieferumfang

- 01 OneStep 2-Kamera
- 02 USB-Ladekabel
- 03 Benutzerhandbuch
- 04 Kamera-Tragegurt



## Bedienungsanleitung für die OneStep<sup>2</sup>-Kamera

### Kamera laden

**Wichtig** Die OneStep 2-Kamera ist beim Kauf nicht vollständig geladen. Bitte laden Sie sie vor der ersten Verwendung auf. Zum Laden schließen Sie das eine Ende des USB-Ladekabels an den Micro-USB-Anschluss an der Rückseite der Kamera und das andere Ende mithilfe eines Adapters wie dem Ladeadapter Ihres Smartphones oder einen USB-Anschluss Ihres Computers an. Sobald der Akku vollständig geladen ist, erlischt die rote Blitz-LED. Die Ladezeit für eine vollständige Akkuladung beträgt beim Laden über einen Smartphone-Adapter an der Steckdose ca. zwei Stunden, beim Laden über den USB-Anschluss eines Computers bis zu ca. vier Stunden. Eine vollständige Akkuladung der OneStep 2 genügt – je nach Verwendung

– für 15 bis 20 Filmkassetten. Vergessen Sie nicht, die Kamera nach jeder Verwendung auszuschalten, um den Akku zu schonen.

### 1. Kamera ein- und ausschalten

Um die Kamera einzuschalten, schieben Sie den Ein-/Aus-Schalter (nach unten) in die Position „ON“. Daraufhin beginnt die Blitz-LED auf der Rückseite der Kamera zu blinken, um anzuzeigen, dass der Blitz aufgeladen wird. Gleichzeitig zeigt das Aufleuchten der Restbildanzeige auf der Kameraoberseite an, dass das Gerät eingeschaltet ist. Wenn Sie die Kamera wieder ausschalten möchten, schieben Sie den Schalter zurück in die Position „OFF“.

### 2. Film einlegen

Öffnen Sie die Filmladeklappe mithilfe des Entriegelungshebels. Schieben Sie die Filmkassette vollständig in die Kamera und achten Sie dabei darauf, dass das Filmdeckblatt

nach oben zeigt.

**Hinweis** Die Entwicklungszeit sowie Hinweise zur Handhabung und Lagerung entnehmen Sie bitte der Verpackung des jeweiligen Films.

### 3. Filmladeklappe schließen

Wenn Sie die Filmladeklappe schließen, wird das Filmdeckblatt automatisch unter der Filmschutzfolie ausgeworfen. Die Filmschutzfolie ist speziell darauf ausgerichtet, das Bild während der Entwicklung vor Licht zu schützen, und sollte daher nicht entfernt werden. Ziehen Sie das Deckblatt unter der Schutzfolie hervor und lassen Sie die Schutzfolie wieder zurückrollen. Sollte das Filmdeckblatt nicht ausgeworfen worden sein, entfernen Sie die Filmkassette und legen Sie sie erneut ein. Achten Sie darauf, dass sie tatsächlich an der Rückseite der Kamera anstößt.

### 4. Blitz und Belichtung einstellen

**Blitz** Bei der OneStep 2-Kame-

ra ist der Blitz standardmäßig aktiviert. Wenn Sie Fotos ohne Blitz aufnehmen möchten, müssen Sie, während Sie den Auslöser betätigen, gleichzeitig die Blitzunterdrückung auf der Rückseite der Kamera gedrückt halten.

**Warnung** Bei den meisten Lichtverhältnissen außer hell erleuchteten, sonnigen Bedingungen werden beim Fotografieren ohne Blitz die Kameraleistung und die Bildqualität beeinträchtigt. Wir empfehlen, immer mit Blitz zu fotografieren.

**Belichtung** Mit dem Helligkeitsregler rechts neben dem Objektiv können Sie die Belichtung des Fotos einstellen. Um ein helleres Foto aufzunehmen, schieben Sie den Helligkeitsregler nach rechts in die Position „Plus/Heller“. Wenn Sie ein dunkleres Foto aufnehmen möchten, schieben Sie den Helligkeitsregler nach links in die Position „Minus/Dunkler“. Diese zwei Einstellungen entsprechen zwei verschiede-

nen Belichtungswerten (EV = Exposure Value). Die Kamera bietet zwei Belichtungswerte:  $+1/2$  EV (wenn sich der Regler in der Position „Plus/Heller“ befindet) und  $-1/2$  EV (wenn sich der Regler in der Position „Minus/Dunkler“ befindet).

### 5. Sucher verwenden

Die OneStep 2-Kamera arbeitet mit einem herkömmlichen Sucher, der sich rechts neben dem Objektiv befindet. Der Sucher liefert das präziseste Ergebnis, wenn Sie mit Ihrem rechten Auge ganz gerade durch den Sucher blicken.

**Hinweis** Beachten Sie, dass sich der Sucher ein wenig höher und rechts von der Kameralinse – aus Sicht des Fotografen ein wenig höher und links von der Linse – befindet. Bei Fotos, die Sie aus geringer Entfernung von bis zu 1,2 m aufnehmen, sollten Sie dies beim Wählen des Bildausschnittes berücksichtigen.

### 6. Bildausschnitt wählen

Um verschwommene Fotos zu vermeiden, sollten Sie beim Fotografieren mind. 60 cm vom Objekt entfernt sein. Das beste Ergebnis erzielen Sie, wenn sich die Lichtquelle hinter Ihnen befindet.

### 7. Foto aufnehmen

Um zu fotografieren, drücken Sie den Auslöser ganz nach unten. Sobald Sie den Finger wieder vom Auslöser nehmen, wird das Foto durch den Schlitz an der Kameravorderseite ausgeworfen. Die Filmschutzfolie sorgt dafür, dass das Foto vor Licht geschützt ist. Wenn Sie so weit sind, können Sie das Foto entnehmen.

### 8. Fotos entnehmen und schützen

Ziehen Sie das Foto unter der Filmschutzfolie hervor und lassen Sie die Folie wieder zurückrollen. Legen Sie das Foto mit dem Bild nach unten ab, um es weiterhin vor Licht zu schützen, während es entwickelt wird.

## Weitere Informationen

### Selbstausröser verwenden

Die OneStep 2-Kamera verfügt über einen Selbstauslöser, dank dem Sie Fotos von sich selbst und zum perfekten Zeitpunkt aufnehmen können. Den Selbstauslöser aktivieren Sie, indem Sie auf die Selbstauslöser-Taste links neben dem Objektiv drücken. Daraufhin leuchtet die Selbstauslöser-Taste durchgehend orange und zeigt so die Aktivierung des Selbstauslösers an. Wählen Sie den Bildausschnitt und drücken Sie dann auf den Auslöser. Das Foto wird acht Sekunden nach dem Drücken des Auslösers von selbst aufgenommen. Sobald Sie den Auslöser betätigen, beginnt die Selbstauslöser-LED orange zu blinken. Bei hell erleuchteten, sonnigen Bedingungen wird der Countdown auch durch kurze, schwache Blitze angezeigt.

**Hinweis** Wenn Sie den Selbstauslöser aktivieren,



wird automatisch auch der Blitz aktiviert. Um mit dem Selbstauslöser Fotos ohne Blitz aufzunehmen, aktivieren Sie zunächst den Selbstauslöser und halten dann, während Sie den Auslöser betätigen, die Blitzunterdrückungs-Taste gedrückt.

#### Anzahl der verbleibenden Fotos

Auf der Kameraoberseite befinden sich acht orangefarbene LEDs. Im eingeschalteten Zustand – nicht im Stand-by-Modus – zeigt die OneStep 2 immer an, wie viele Fotos noch aufgenommen werden können. Dabei entspricht die Anzahl der leuchtenden LEDs der Anzahl der in der Filmkassette verbleibenden Fotos.

Zum Beispiel: Leuchten sechs LEDs, können Sie noch sechs Fotos aufnehmen. Wenn Sie bereits alle acht in einer Filmkassette enthaltenen Fotos aufgenommen haben oder sich keine Filmkassette in der Kamera befindet, wird

dies durch schnelles Blinken der LEDs beim Einschalten der Kamera angezeigt.

#### Akkustand prüfen

Die Blitz-LED zeigt drei verschiedene Akkustände an:

##### 1. Akku geladen:

Die Akkuladung genügt für mindestens zwei Filmkassetten.

Die Blitz-LED blinkt grün, während der Blitz zwischen den einzelnen Aufnahmen aufgeladen wird, und leuchtet dann durchgehend grün, wenn das Gerät bereit für die Aufnahme ist.

##### 2. Akku schwach:

Die Akkuladung genügt für ca. eine Filmkassette.

Die Blitz-LED blinkt orange, während der Blitz zwischen den einzelnen Aufnahmen aufgeladen wird, und leuchtet dann durchgehend orange, wenn das Gerät bereit für die Aufnahme ist.

##### 3. Akku leer:

Der Akku ist erschöpft. Die Blitz-LED blinkt rot und die Kamera kann erst wieder

verwendet werden, nachdem ihr Akku aufgeladen wurde.

Eine vollständige Akkuladung der OneStep 2 genügt – je nach Verwendung – für 15 bis 20 Filmkassetten. Sie haben zudem die Möglichkeit, den Akkustand jederzeit zu prüfen, indem Sie die Kamera zunächst ausschalten und dann beim erneuten Einschalten die Selbstauslöser-Taste gedrückt halten. Daraufhin zeigen die acht Restbildanzeige-LEDs auf der Kameraoberseite den Akkustand an. Zum Beispiel: Wenn sechs LEDs leuchten, ist der Akku der Kamera noch zu 6/8 (75%) geladen. Sobald Sie den Finger wieder von der Selbstauslöser-Taste nehmen, zeigen die LEDs wieder an, wie viele Fotos noch in der Filmkassette verbleiben.

#### Kompatibler Film

Die OneStep 2-Kamera ist mit allen i-Type- und 600-Filmkassetten von Polaroid Originals kompatibel. Wir empfehlen Ihnen die Verwendung der i-Type-Kassetten, da diese für die

OneStep 2 optimiert wurden.

#### Stromversorgung

Laden Sie die OneStep 2-Kamera vor jeder Verwendung auf, um sicherzugehen, dass die Akkuladung für alle Aufnahmen ausreicht (siehe auch → **Kamera laden**). Während die Kamera geladen wird, leuchtet die Blitz-LED durchgehend rot. Diese erlischt, sobald der Akku vollständig geladen ist.

#### Kamera-Tragegurt anbringen

Anleitungen zum Anbringen des Tragegurts finden sich auf Seite 8.

#### Stativ verwenden

Die OneStep 2-Kamera ist an der Unterseite des Gehäuses mit einem Gewinde ausgestattet, das mit einem Großteil der standardmäßigen Stativschrauben kompatibel ist. Die Stativschraube einfach in das Gewinde an der Unterseite der OneStep 2 schrauben.

**Hinweis** Für die meisten Stativschrauben gilt, dass Sie die Kamera abnehmen müs-

sen, um eine Filmkassette in die OneStep 2 einlegen zu können.

### Walzen reinigen

Es kann vorkommen, dass sich überschüssige Entwicklerpaste von den Fotos an den Kamera-Walzen absetzt, was die Kameraleistung beeinträchtigt und Fotos mit unerwünschten Mängeln erzeugt. Die OneStep 2 verfügt über einen Walzenreinigungsmodus, um dieses Problem zu beseitigen. Folgen Sie einfach diesen Schritten:

1. Schalten Sie die Kamera aus.
2. Öffnen Sie die Filmklappe.
3. Betätigen Sie bei gedrückter gehaltenen Blitzunterdrückung den Auslöser.
4. Die Kamera wechselt in den Walzenreinigungsmodus.
5. Reinigen Sie die Walzen vorsichtig mit einem feuchten Tuch oder Wattestäbchen.
6. Betätigen Sie den Auslöser, um die Rollen schrittweise zu drehen.
7. Wenn beide Walzen rundhe-

rum sauber sind, schließen Sie die Filmklappe.  
8. Die Walzen kehren automatisch in die korrekte Position zurück.

## Problembekämpfung und häufig gestellte Fragen

### Meine OneStep 2-Kamera gibt mein Foto/das Deckblatt nicht aus

Vergewissern Sie sich, dass die OneStep 2-Kamera geladen ist. Wenn die Blitz-LED rot blinkt, ist der Akkustand zu niedrig. In diesem Fall müssen Sie die Kamera zunächst laden, bevor Sie sie wieder verwenden können.

Gehen Sie sicher, dass sich in der eingelegten Filmkassette noch Fotos befinden. Um dies zu prüfen, schalten Sie die Kamera aus und wieder ein. Die Restbildanzeige-LEDs zeigen die Anzahl der in der Filmkassette

verbleibenden Fotos an. Blinken die LEDs beim Einschalten der Kamera schnell, bedeutet dies, dass die Filmkassette leer ist oder keine Filmkassette eingelegt ist.

### Beim Aufnehmen eines Fotos wird der Blitz nicht ausgelöst

Achten Sie darauf, dass Sie beim Aufnehmen von Fotos nicht versehentlich auf die Blitzunterdrückungs-Taste drücken, die sich an der Rückseite der Kamera befindet.

### Mein Foto wurde zu dunkel

Wir empfehlen Ihnen dringend, bei allen Innenaufnahmen sowie bei Außenaufnahmen nachts, in der Dämmerung oder an bewölkten Tagen mit wenig Licht stets mit Blitz zu fotografieren.

Stellen Sie sicher, dass Sie nicht gegen die Sonne fotografieren. Die OneStep 2 berechnet auf Basis des Lichts, das auf sie fällt, einen Durchschnittswert. Wenn Sie gegen die Sonne fotografieren, kann dies dazu führen, dass die Kamera

dies bei der Einstellung der Belichtung überkompensiert und das Objekt des Fotos nicht richtig belichtet ist.

Um ein helleres Foto aufzunehmen, schieben Sie den Helligkeitsregler rechts neben dem Objektiv nach rechts in die Position „Plus/Heller“.

### Mein Foto war verschwommen oder unscharf

Achten Sie beim Fotografieren darauf, dass Sie die Kamera ruhig halten – vor allem bei wenig Licht. Zudem empfehlen wir Ihnen, eine starke Lichtquelle für die Beleuchtung Ihres Motivs zu verwenden.

Wir empfehlen Ihnen dringend, bei allen Innenaufnahmen sowie bei Außenaufnahmen nachts, in der Dämmerung oder an bewölkten Tagen mit wenig Licht stets mit Blitz zu fotografieren. Als stabile Basis für Ihre Kamera können Sie auch ein Stativ verwenden.

Stellen Sie sicher, dass Sie beim Fotografieren nicht zu nah am jeweiligen Objekt ste-

hen. Um verschwommene oder unscharf eingestellte Fotos zu vermeiden, sollten Sie beim Fotografieren mind. 60 cm vom Objekt entfernt sein.

## Tipps für großartige Fotos

### Innenaufnahmen

Schalten Sie bei Innenaufnahmen immer den Blitz ein, auch dann, wenn Sie denken, dass Sie ihn nicht brauchen. Kunstlicht wirkt auf Analogfilmen gelb – der Blitz der OneStep 2 wurde so konzipiert, dass dieser Gelbstich kompensiert wird.

### Nachtaufnahmen

Beim Fotografieren auf einer Party (oder bei sonstigen Innenaufnahmen bei Nacht) sollten Sie immer den Blitz einschalten. Sie können ebenfalls versuchen, den Helligkeitsregler in die Position „Plus/Heller“ zu schieben, um ein helleres Foto aufzunehmen.

### Außenaufnahmen

Natürliches Licht ist am besten für Sofortbilder. Bei Sonnenschein im Freien brauchen Sie keinen Blitz. Stellen Sie sicher, nicht gegen die Sonne zu fotografieren. Fotografieren

Sie so, dass die Sonne hinter Ihnen steht.

Wenn Ihre Umgebung sehr hell ist, können Sie versuchen, den Helligkeitsregler zur Minus/Dunkler-Position zu stellen, um weniger Licht in die Linse zu lassen und so zu helle Bilder zu verhindern.

Wenn Sie nicht in hellem, direkten Sonnenlicht fotografieren, empfehlen wir, immer den Blitz zu verwenden, um die bestmöglichen Ergebnisse zu erreichen.

### Landschaftsaufnahmen

Stellen Sie bei Landschaftsaufnahmen sicher, dass sich die Sonne oder die Hauptlichtquelle hinter Ihnen befindet, damit das Bild nicht überbelichtet wird.

An wolkigen oder bedeckten Tagen mit wenig Licht können Sie die Kamera auf ein Stativ oder eine ebene Oberfläche stellen. Dies trägt dazu bei, die gesamte Szene in Fokus zu halten.

## Kundenservice

Das Team vom Polaroid Originals-Kundenservice freut sich auf Sie. Sie erreichen uns unter den nachstehenden Kontaktdaten. Weitere detaillierte und aktuelle Informationen erhalten Sie unter [polaroidoriginals.com/help](http://polaroidoriginals.com/help)

### USA/Kanada

[usa@polaroidoriginals.com](mailto:usa@polaroidoriginals.com)  
+212 219 3254

**Europa/Alle anderen Länder**  
[service@polaroidoriginals.com](mailto:service@polaroidoriginals.com)  
00 800 577 01500

**Impossible B.V.**  
P.O. Box 242  
7500 AE Enschede  
Niederlande

### Materialien

Außengehäuse  
Polycarbonat + ABS-Kunststoffe  
Linse  
Optische Polycarbonatlinse, beschichtet  
Verschlussystem  
Eigendesign mit Präzisions-Schrittmotor

### Optisches System

Objektiv  
Fixfokus-Objektiv  
Brennweite  
106mm  
Sichtfeld  
41 Grad vertikal,  
40 Grad horizontal

### Blitzsystem

Vakuum-Stroboskopröhre

## Technische Daten

### Allgemein

Abmessungen  
150 mm (L) x 111 mm (B) x 97 mm (H)  
Gewicht  
460 Gramm (ohne Filmkassette)  
Betriebstemperatur  
4–42 °C/40–108 °F, 5–90 % relative Luftfeuchtigkeit  
Kompatibler Film  
Polaroid Originals i-Type-Film und 600-Film in Farbe und Schwarz-Weiß, einschließlich Sondereditionen  
Akku  
Leistungsstarker Lithium-Ionen-Akku, 1100 mAh, 3,7 V Nennspannung, 4,07 Wh

## Sicherheitshinweise

Achtung GEFAHR EINES STROMSCHLAGS – DAS ANGETRIEBENE WALZENSYSTEM NICHT ÖFFNEN/ ZERLEGEN

- Das Gerät nicht auseinanderbauen. Ein nicht korrektes erneutes Zusammenbauen birgt die Gefahr eines Stromschlags beim Wiedereinschalten des Geräts.
- Das Gerät nicht in Wasser oder sonstige Flüssigkeiten tauchen.
- Das Gerät nicht in Umgebungen mit hoher Luftfeuchtigkeit oder sehr staubigen Umgebungen verwenden.
- Versuchen Sie nicht, den Akku und/ oder die elektronischen Bauteile unter den Walzen hinter der Filmladeklappe zu manipulieren, einzustellen oder zu entfernen.
- Versuchen Sie nicht, die Klappe zu entfernen, da sie elektronisch mit dem Gerätekörper verbunden ist. Dies ist gefährlich, kann Ihr Gerät beschädigen und macht Ihre Gewährleistungsansprüche ungültig.
- Keine Metallgegenstände in das Gerät stecken.
- Keine Gegenstände in die Walzen oder Antriebe stecken.
- Kinder und Kleinkinder von dem Gerät fernhalten, um eine Verletzungsgefahr durch bewegliche Teile des Geräts zu vermeiden.
- Das Gerät nicht in der Nähe von Wärmequellen oder wärmeerzeugenden Geräten wie Stereoverstärkern verwenden oder lagern.
- Das Gerät nicht in der Nähe von brennbaren oder explosiven Gasen verwenden.
- Das Gerät nicht laden, wenn Sie unübliche Gerüche, Geräusche oder Rauch wahrnehmen.
- Versuchen Sie nicht, den Akku des Films zu zerlegen oder zu verändern (bei Verwendung des Films vom Typ 600). Sollte Batterieflüssigkeit in Ihre Augen gelangen, spülen Sie sie sofort mit frischem, katten fließendem Wasser aus und suchen Sie unmittelbar einen Arzt auf.

### Akku und Ladegerät

- Dieses Gerät verfügt über einen passgenauen Lithium-Ionen-Akku, der nicht entfernt werden kann und in die Kamera eingebaut ist. Es darf keine Batterie eines anderen Typs verwendet werden. Der Austausch des Akkus kann nur in autorisierten Service-Centern erfolgen. Bei korrekter Verwendung kann der Akku viele Jahre lang verwendet werden.
- Der Stromverbrauch variiert abhängig von den Umgebungsbedingungen bei Benutzung der Kamera und davon, wie das Gerät gelagert wurde. Direkt nach einer vollständigen Aufladung reicht der Akku für bis zu 20 Filme mit eingeschaltetem Blitz. Aufgrund des hohen Energiebedarfs des Blitzes wird empfohlen, die Kamera vor jeder Verwendung vollständig aufzuladen.
- Sobald der Ladezustand des Akkus eine bestimmte Untergrenze erreicht, funktioniert die Kamera nicht mehr. Die LED-Leuchte blinkt und signalisiert damit, dass das Gerät aufgeladen werden muss. Hierdurch wird vermieden, dass ein Foto im Walzensystem stecken bleibt.
- Der Akku ist beim Kaufzeitpunkt nicht vollständig geladen. Laden Sie den Akku mit dem USB-Ladekabel (im Lieferumfang enthalten) vollständig auf. Dies dauert normalerweise 1-2 Stunden (kann je nach Verwendung variieren).
- Das mitgelieferte Ladekabel wurde getestet und funktioniert mit den Apple iPhone-Netzteiladaptern. Es kann zwar mit anderen USB-Anschlüssen verwendet werden, z. B. Computer, USB-Steckernetzteile, Fernsehgeräte, Kraftfahrzeuge usw.; in diesem Fall kann jedoch ein korrekter Betrieb nicht garantiert werden.
- Wenn das Gerät nicht mehr verwendet wird, bringen Sie es bitte zu einer Sammelstelle.

### Verwendungsumgebung

- Um die Hochpräzisionstechnologie dieses Gerätes zu schützen, lagern Sie das Gerät niemals für längere Zeit: bei hoher Temperatur (+42 °C/108 °F), bei hoher Luftfeuchtigkeit, an Orten mit starken

Temperaturschwankungen (heiß und kalt), in direkter Sonneneinstrahlung, in sandigen oder staubigen Umgebungen wie an Stränden, in feuchter Umgebung oder an Orten mit starken Vibrationen.

- Lassen Sie das Gerät nicht fallen und setzen Sie es keinen starken Stößen oder Vibrationen aus.
- Üben Sie keinen Druck oder Zug auf die Linse aus.

### Konformitätserklärung

#### Wichtige Anweisungen zur Verwendung von Lithium-Ionen-Batterien

1. Nicht ins Feuer werfen.
2. Nicht kurzschließen.
3. Nicht zerlegen.
4. Bei Beschädigung nicht weiterverwenden.
5. Nach der Benutzung korrekt entsorgen.
6. Von Wasser fernhalten.

#### EU Konformitätserklärung

Impossible B.V. erklärt hiermit, dass die OneStep 2 Sofortbildkamera die grundlegenden Anforderungen der Richtlinie 2014/30/EU über die elektromagnetische Verträglichkeit, Niederspannungsrichtlinie 2014/35/EU für Elektrogeräte und RoHS-Richtlinie 2011/65/EU und anderer maßgeblicher Vorschriften bei bestimmungsgemäßer Benutzung entspricht.



Dieses Symbol bedeutet, dass Ihr Produkt entsprechend den lokalen Gesetzen und Regelungen getrennt vom Hausmüll entsorgt werden muss. Bringen Sie das Produkt nach Ablauf seiner Lebensdauer zu einer örtlichen Annahmestelle. Einige Annahmestellen nehmen Produkte ohne Gebühr entgegen. Die separate Sammlung und das Recyceln Ihres Geräts tragen zum Schutz der Umwelt bei und gewährleisten, dass es auf eine Art und Weise recycelt wird, die keine Gesundheits- oder Umweltgefährdung darstellt.

# ユーザー マニュアル

### 保証書

このカメラの保証書は、こちらのリンクにあります:  
[polaroidoriginals.com/warranty](http://polaroidoriginals.com/warranty)

## 内容物

- 01 ワンステップ2カメラ
- 02 USB 充電ケーブル
- 03 ユーザー マニュアル
- 04 カメラストラップ



## ワンステップ2 の使用法

### カメラを充電する

**重要** ワンステップ2は、お買い上げ時は完全には充電されていません。最初のご使用の前に完全に充電してください。カメラを充電するには、USB充電ケーブルをカメラの背面パネルにあるマイクロUSBスロットに差し込み、ケーブルのもう一端を充電器（スマートフォン用アダプタ、お手持ちのコンピューターのUSBスロットなど）に差し込みます。電池が完全に充電されると、点滅していた赤い充電LEDが消灯します。完全に充電するには、壁のコンセントに差し込んだスマートフォン用アダプタの場合は通常約2時間、コンピューターのUSBスロットの場合は最大4時間かかります。ワンステップ2カメラを完全に充電した場合、フィルム15~20パック分の撮影が可能です（ご使用方法によって異なります）。ご使用後は、電池を長持ちさせるために、忘れずにカメラをオフしてください。

### 1. カメラをオン/オフにする

カメラをオンにするには、パワースイッチを "ON" 位置（下）にスライドさせます。背面パネル上のフラッシュ充電LEDが点滅し始めてフラッシュが充電され、カメラのスイッチがオンになっていることを示す残りフィルムカウンター（カメラ上部）が点灯します。カメラをオフにするには、パワースイッチを "OFF" 位置に戻します。

### 2. フィルムを装着する

フィルムドアラッチをスライドさせて、フィルムドアを開きます。フィルムの暗い側を上にして、フィルムカセットを完全に押し込みます。

**ヒント** 現像時間、取り扱い方法、および保管の詳細については、個々のフィルムパッケージを参照してください。

### 3. フィルムドアを閉じる

フィルムドアを閉じると、ダークスライドがカメラから自動的に、フィルムシールドの下にイジェクトされます。プラスチックのフィルムシールドは、フィルムの現像の際に画像を光から保護するよう

設計されていますので、取り外さないでください。フィルムシールドの下からダークスライドを取り出し、フィルムシールドを巻き上げます。ダークシールドがイジェクトされなかった場合は、フィルムバックを取り出して再度挿入し、必ずカメラの背面まで十分に押し込んでください。

### 4. フラッシュと「明るくする/ 暗くする」の設定

**フラッシュ** ワンステップ2で撮影するとき、デフォルトではカメラのフラッシュが作動します。フラッシュなしで撮影するには、背面パネルにあるフラッシュオーバーライドボタンを押したまま、シャッターボタンを押してください。

**ご注意** フラッシュなしで撮影すると、明るく照らされた日当たりの良い環境以外のほとんどの照明状況では、カメラの性能が低下して画質が落ちます。常にフラッシュを使用して撮影することをお勧めします。

**明るくする/暗くする** レンズバレルの右側にある「明るくする/暗くする」スイッチを使用して、撮影の露出量を調整します。より明るい写真を撮るには、「明るくする/暗く

する」スイッチを右側の「プラス/明るくする」位置へ動かします。より暗い写真を撮るには、「明るくする/暗くする」スイッチを左側の「マイナス/暗くする」位置へ動かします。これら2つの設定は、異なる露出量の値 (EV) に対応しています。カメラの露出量の値は、+½ EV (スイッチを「プラス/明るくする」へ動かした場合) と-½ EV (スイッチを「マイナス/暗くする」へ動かした場合) です。

**5. ビューファインダーを使用する**  
ワンステップ2では、レンズバレルの右側にある従来型のビューファインダーを使用しています。右目とビューファインダーの背後のスペースが一直線になったときに、最も正確になります。

**ヒント** ビューファインダーはカメラのレンズの右側、わずかに上にあり、これは撮影の際にユーザーの視点の左上になります。したがって、1.2メートル以内の距離から撮影する場合、写真の構図を正しくとるためには照準を調節する必要があります。

#### 6. 写真の構図をとる

写真のボケを防ぐためには、撮影の際、被写体から少なくとも60

cm離れていることを確認します。最良の結果を得るためには、常に光源が背後にある状態で撮影するようにしてください。

#### 7. 写真を撮影する

写真を撮影するには、シャッターボタンを完全に押します。シャッターボタンを離すと、カメラの前側にあるスロットから写真が即座にイジェクトされます。写真はフィルムシールドによって光から保護され、取り外す準備ができるまで剥がせません。

#### 8. 写真を取り外して保護する

フィルムシールドの下から写真を取り外し、フィルムシールドをカメラ内に巻き上げます。写真は表を下にして置き、現像される間、光から保護し続けてください。

## 詳細ガイド

#### セルフタイマーの使い方

ワンステップ2にはセルフタイマーの機能があり、自分が写真に納まったり、タイミングを完璧に合わせた写真を撮影することができます。セルフタイマーを使用する

には、レンズバレルの左にあるセルフタイマーボタンを押します。セルフタイマーボタンがオレンジ色に点灯し、セルフタイマーが起動していることを示します。写真の構図がとれたら、シャッターボタンを押します。セルフタイマーを使用すると、シャッターボタンを押してから8秒後に写真が撮影されます。一旦セルフタイマーを起動されると、オレンジ色のLEDが点滅してセルフタイマーのカウントダウンを示します。明るい、または日当たりの良い環境では、カメラのフラッシュは低電力の短いフラッシュでカウントダウンします。

**ヒント** セルフタイマーを使用して撮影する場合、フラッシュは自動的に起動します。セルフタイマーによる写真にフラッシュなしで撮影するには、セルフタイマーを起動してから、シャッターボタンを押すときに、フラッシュオーバーライドボタンを押したままにします。

#### バック内の残りのフィルム量を確認する

カメラ上部に、オレンジ色のLEDライトが8個あります。ワンステップ2がオンになっていてスリープモードではないとき、それらのLEDは常にフィルム数を示します。点灯するLEDの数は、フィルムバック内に残ったコマの数を示しています。

たとえば、6個のLEDが点灯している場合、これはフィルムバック内に6コマ残っていることを示します。フィルムバック内の8コマのすべてを使い切った場合、またはカメラにフィルムバックが挿入されていない場合は、カメラをオンにしたときLEDが速く点滅します。

#### バッテリーの残量を知る

このカメラには以下の3つのバッテリー状態があり、カメラのフラッシュ充電LEDライトによって示されます。

##### 1. バッテリー充電完了

少なくとも2バックのフィルムに十分な充電量です。撮影の合間の充電の際はフラッシュLEDがグリーンに点滅し、撮影の準備ができるとフラッシュLEDがグリーンに点灯します。

## 2. バッテリー充電量低下

ほぼ1パックのフィルムに十分な充電量です。

撮影の合間の充電の際はフラッシュLEDがオレンジに点滅し、撮影の準備ができるとフラッシュLEDがオレンジに点灯します。

## 3. バッテリー充電量ゼロ

充電量が残っていません。

フラッシュLEDが赤く点滅し、カメラは再度充電されるまで作動しません。

ワンステップ2カメラを完全に充電した場合、フィルム15~20パック分の撮影が可能です(ご使用方法によって異なります)。カメラをオフにし、セルフタイマーを押したままの状態カメラを再びオンにすれば、いつでもカメラの充電量を確認できます。カメラ上部にある8個のフィルムカウンターLEDが点灯し、バッテリーの残り充電量を示します。

たとえば、6個のLEDが点灯している場合、カメラには6/8(75%)の充電量が残っていることを示しています。セルフタイマーボタンを離すと、LEDはフィルムパック内の残りのコマ数の表示に戻ります。

## 使用可能なフィルム

ワンステップ2は、ポラロイド製のオリジナルタイプおよび600タイプのフィルムパックで動作します。1タイプフィルムはワンステップ2による使用に最適に作られていますので、1タイプフィルムのご使用をお勧めします。

## 電源

撮影の間に電力量が十分にあるよう、ご使用前にワンステップ2を充電してください(「カメラを充電する」の節を参照してください)。カメラが電源に接続されて充電されている間は、フラッシュ充電LEDが赤く点灯します。カメラが完全に充電されると、フラッシュ充電LEDが消灯します。

## カメラストラップを取り付ける

カメラストラップの取付け方は、8頁を参照してください。

## 三脚の使用法

ワンステップ2のベースには三脚用ソケットがあり、ほとんどの標準三脚に取付け可能です。三脚マウントをワンステップ2のベースにあるソケットにねじ込んで取り付けてください。

**ヒント** ほとんどの三脚の脚

合、OneStep 2 へのフィルムの装着または交換を行う前に、三脚マウントを取り外す必要があります。

## ローラーの清掃

写真について過度の現像ベーストがカメラのローラー上に蓄積してカメラの性能に影響し、写真の仕上がりが不完全になる場合があります。ワンステップ2にはこの問題に対処するために、ローラー清掃モードが組み込まれています。以下のステップに従ってください。

1. カメラをオフにします。
2. フィルムドアを開きます。
3. フラッシュオーバーライドボタンを押したまま、シャッターボタンを押します。
4. これでカメラはローラー清掃モードになります。
5. 湿った布または綿棒を使用して、ローラーを丁寧に清掃します。
6. シャッターボタンを押して、ローラーを少しずつ回転させます。
7. 両方のローラーの全面を清掃したら、フィルムドアを閉じます。
8. ローラーは自動的に正しい位置に戻ります。

## トラブルシューティングとよくある質問

### ワンステップ2が写真/ダークスライドをイジェクトしない

ワンステップ2が充電されていることを確認します。作動するだけの充電量がない場合は、カメラのフラッシュ充電LEDが赤く点滅します。この場合は、再び使用する前にカメラを充電する必要があります。カメラにフィルムが入っていることを確認します。この確認は、電源スイッチを一旦オフにしてからオンにしてください。フィルム残量カウンターLEDが、フィルムパック内に残っているコマの数を示します。カメラを再びオンにしたときにLEDが速く点滅する場合は、フィルムパック内にコマが残っていないか、またはフィルムパックが挿入されていないことを示しています。

### 写真撮影のときフラッシュが作動しない

写真撮影のとき、フラッシュオーバーライドボタン(カメラの背面パネルにあります)を誤って押していないか確認します。



### 写真のでき上がりが少し暗い

屋内で撮影する場合、もしくは夜、光の少ない夕暮れ時、または曇りの日に屋外で撮影する場合は、フラッシュを使用されることを強くお勧めします。

太陽に向かって撮影していないことを確認してください。ワンステップ2は向けられている方向の平均の光量を測定します。太陽光に向かって撮影する場合、過度な光によって、カメラが画像を露光させる際に過度な補正が行われ、画像が暗くなりすぎて被写体が適切に現れないことがあります。

より明るい画像を得るには、レンズバレルの右側にある「明るくする/暗くする」スイッチを「プラス/明るくする」位置に動かします。

### 写真の仕上がりが不鮮明、またはぼやけている

撮影の際、特に光が少ない状況では、カメラをしっかり持つようにしてください。また、被写体を照らす強い光源があることを確認してください。屋内で撮影する場合、もしくは夜、光の少ない夕暮れ時、または曇りの日に屋外で撮影する場合は、フラッシュを使用されることを強くお勧めします。また、三脚を使用してカメラのペースを安定させることも有効です。

撮影の際、被写体に近づきすぎないようにしてください。ぼやけた、または焦点の合っていない写真にならないようにするためには、被写体から少なくとも60 cm離れたところから撮影する必要があります。

## 良い写真を撮るコツ

### 屋内での撮影

屋内で撮影する場合は、必要とは思えない場合でも、常にフラッシュを使用してください。

屋内の光はアナログフィルム上では黄色く見えます。ワンステップ2のフラッシュは、これを補正するよう設計されています。

### 夜間の撮影

パーティ(または夜間の屋内)で撮影する場合は、常にフラッシュを使用してください。

また、「明るくする/暗くする」スイッチを右側の「プラス/明るくする」位置へ動かして、より明るい画像にすることもできます。

### 屋外での撮影

インスタント写真においては、自然光が一番の味方になります。晴れた日

の屋外では、フラッシュを使う必要はまったくありません。太陽に向かって撮影しないでください。太陽を背にして、被写体に真っすぐに、または横から撮影します。

環境が非常に明るい場合は、「明るくする/暗くする」スイッチを「マイナス/暗くする」位置へ動かして光量を抑え、「露光し過ぎ」を防ぐことができます。

明るい直射日光の中で撮影する場合以外は、最適な撮影を行うためにフラッシュを使用することをお勧めします。

### 風景写真の撮影

風景写真を撮影する場合は、太陽または主な光源を背にして、過剰な光によって画像が「露光し過ぎ」になるのを防ぐようにしてください。

光の少ない曇りの日には、カメラを三脚または安定した面の上に置くことも有効です。そうすることにより、シーン全体に容易に焦点を合わせることができます。

## カスタマーサポート

ポラロイド オリジナルズ (Polaroid Originals) のカスタマー サポート チームは、お客様からのお問い合わせを楽しみにお待ちしております。以下の連絡先情報をご使用の上、お問い合わせください。最新の詳細情報は、こちらのサイトにあります。  
[polaroidoriginals.com/help](http://polaroidoriginals.com/help)

## 技術仕様

**一般寸法**  
150 mm (長さ) × 111 mm (厚さ) × 97 mm (高さ)  
**重量**  
460 グラム (フィルムパックを除く)  
**動作温度**  
4~42°C、相対湿度 5~90%  
**使用可能なフィルム**  
特別版を含むカラーと白黒両方のポラロイド オリジナルズ (Polaroid Originals) の 1 タイプと 600 タイプのフィルム  
**バッテリー**  
高性能リチウム イオン バッテリー  
一、1100mAh、空称電圧 3.7V、4.07Wh

**米国/カナダ**  
[usa@polaroidoriginals.com](mailto:usa@polaroidoriginals.com)  
+212 219 3254

**ヨーロッパ/その他の地域**  
[service@polaroidoriginals.com](mailto:service@polaroidoriginals.com)  
00 800 577 01500  
**インポッシブル非公開有限責任株式会社 (Impossible B.V.)**  
P.O.Box 242  
7500 AE Enschede  
The Netherlands

**材料**  
外側シェル  
ポリカーボネート、ABS プラスチック  
レンズ  
光学グレードポリカーボネート、およびアクリリック製レンズ、被覆付き  
シャッターシステム  
精密ステップモータを使用した顧客設計

**光学システム**  
レンズ  
固定焦点レンズ  
焦点距離  
106 mm  
視野  
垂直 41 度、水平 40 度

**フラッシュ システム**  
真空放電管ストロボ

## 安全情報

**警告 感電の危険** - 電動式ローラー システムを開けたら分解したりしないでください。  
・ 本装置を分解しないでください。再組立て方法を誤ると、本装置を再使用した場合に感電の恐れがあります。  
・ 本装置を水その他の液体に浸さないでください。  
・ 本装置は湿度の高い環境、または非常に埃の多い環境では操作しないでください。  
・ 本装置のフィルムドアの背後のローラーの下にあるバッテリーおよび/または電子部品の改造、調節、または取外しはおやめください。  
・ ドアは本装置本体に電的に接続されていますので、ドアの取外しはおやめください。ドアの取外しは危険であり、装置を損傷する恐れがあり、保障が無効になります。  
・ ローラーまたはギアに何らかの物体を挿入することはおやめください。  
・ 本装置の動く部分による怪我を避けるため、小さいお子様や幼児を装置に近づかせないようにしてください。  
・ 任意の熱源または熱を生成する任意の種類（ステレオ アンプを含む）の近くでの本装置の使用または保管はおやめください。  
・ 可燃性または爆発性の気体の近くでは、本装置を使用しないでください。  
・ 異常な臭い、音、または煙に気づいた場合は、本装置を充電しないでください。(600 タイプのフィルムをご使用の場合) フィルムのバッテリーの分解または改造は、いかなる方法によるものであってもおやめください。バッテリー液が目に入った場合は、直ちに新鮮な冷たい流水で目を洗い、直ちに医学的な処置を求めてください。

### バッテリーおよび充電器

・ 本装置は特注品のリチウム イオン バッテリーを使用しています。これはカメラ本体内部に取り付けられ、取外し不可能となっています。他の種類のバッテリーを使用することはできません。バッテリーの交換は、認可されたサービスセンターのみが行うことができます。このバッテリーは、適切に使用した場合は長年のサービスを提供します。  
・ 電力消費量は、本装置の使用環境、および保管方法によって異なります。完全に充電したあと即座に使用した場合、このバッテリーはフラッシュによる露出を伴うフィルムパック 20 個までの処理に必要な電力を供給します。フラッシュは高いエネルギーを必要とするため、各撮影セッションの直前にカメラを完全に充電して、最良の結果を得ることをおすすめします。  
・ バッテリーのエネルギーレベルが一定レベルを下回りますと、本装置はフィルムを処理できなくなります。バッテリーが充電を必要とするときは、LED が点滅してお知らせします。これは、ローラー システム内の写真詰まりを防止することを目的としています。

・ 充電可能なバッテリーは、ご購入時には完全に充電されていません。USB 充電ケーブル (付属) でバッテリーを完全に充電してください。これには通常、1 ~ 2 時間かかります (使用状況により異なります)。  
・ 付属の USB 充電ケーブルは、Apple 社の iPhone の充電アダプタと共に動作することがテストされています。コンピュータ、USB/ワーキングアダプタ、自動車等の他の USB ポートでも使用可能ですが、正しい動作は保証されません。  
・ 本装置をご使用にならなくなった場合は、適切にリサイクルしてください。

### 使用環境

・ 本装置に含まれる高精度技術を保護するため、高温の場所 (42°C)、多湿の場所、または温度の急激な変化が激しい場所、直射日光の当たる場所、海洋などの砂や埃の多い環境、湿った場所、または強い振動のある場所にカメラを長時間放置しないでください。  
・ 本装置を落としたり、激しいショックや振動にさらしたりしないでください。  
・ レンズを押ししたり、引っ張ったり、レンズに対して押し付けたりしないでください。

## コンプライアンス

### リチウムイオン バッテリーを使用する際の重要指 示事項

1. 火の中に投げ込まないでください。
2. ショートさせないでください。
3. 分解しないでください。
4. 損傷した場合は使用を続けしないでください。
5. 正しく廃棄してください。
6. 水から遠ざけてください。

### EU 適合宣言書

ここインポッシブル非公開有限責任株式会社 (Impossible B.V.) は、ワンプステップアナログインシステムカメラが、意図された目的に使用された場合には、電磁環境適合性指令 (2014/30/EU)、低電圧指令 (2014/35/EU)、RoHS 指令 (2011/65/EU) および他の関連する規定の必要条件に準拠することを宣言します。



記号は、地域の法律および規則により、お手持ちの製品は家庭のゴミとは別に廃棄する必要があることを示しています。本製品が寿命の終わりに達したら、地方自治体が指定する収集場まで持参してください。一部の収集場では、無料で製品の回収を受け付けています。お手持ちの製品の分別収集およびリサイクルによる廃棄を通じて、天然資源の保護や、人間の健康と環境を保護するような方法での再利用が可能となります。

# 用户手册

## 保修

要寻求此相机的保修，请前往此链接：  
[polaroidoriginals.com/warranty](http://polaroidoriginals.com/warranty)

## 包装清单

- 01 OneStep 2 相机
- 02 USB 充电线
- 03 用户手册
- 04 相机挂绳

96

用户手册



## 如何使用 OneStep<sup>2</sup>

### 为相机充电

**重要提示** OneStep 2 在购买时未充满电——在首次使用之前，应先为其充满电。要为相机充电，请将 USB 充电线插接到相机背部面板上的 Micro USB 插槽中，将充电线的另一端插接到充电器中，例如智能手机适配器或计算机的 USB 插槽中。在电池充满电后，红色 LED 闪烁指示灯将会熄灭。

通过智能手机适配器插接到墙壁插座时，完全充满电大约需要两小时；通过计算机的 USB 插槽充电时，完全充满电最多需要 4 小时。完全充满电的 OneStep 2 相机将有足够的电量拍摄 15 到 20 盒相纸，具体取决于实际使用情况。切记，为了延长电池寿命，每次使用之后，请关闭相机。

### 1. 打开/关闭相机

要打开相机，请将电源开关拨动到 ON（开）位置（下方）。背部面板上的 LED 闪烁指示灯将开始闪烁，此时将对闪光灯充电，相机顶部的剩余相纸计数将会点亮，指示相机已打开。要再次关闭相机，请将电源开关拨回 OFF（关）位置。

### 2. 装载相纸

拨动相纸仓盖门锁，打开相纸仓盖。将相纸盒完全推入相纸仓，相纸的黑卡朝上。

**注意** 请检查每盒相纸的显影时间、操作和存放详细说明。

### 3. 关闭相纸仓盖

关闭相纸仓盖时，黑卡将自动从相机中相纸遮光板下方弹出。塑料相纸遮光板设计用于防止在显影过程中光线照射影像，不可移除此遮光板。从相纸遮光板下方取出黑卡，让相纸遮光板卷回。若黑卡未弹出，取出相纸盒并重新插入，确保其完全推入到相机背部。

### 4. 设置闪光灯和调亮/调暗

**闪光灯** 当您使用 OneStep 2 拍摄时，相机闪光灯将默认触发。若要不使用闪光灯拍摄，请在按下快门按钮时按住背部面板上的闪光灯覆盖按钮不放。

**警告：**在大多数光照条件下，不使用闪光灯拍摄将降低相机性能和照片质量，除非环境阳光明媚。我们建议总是使用闪光灯拍摄。

**调亮/调暗** 使用镜筒右侧的调亮/调暗开关可以调节曝光。要获得更明亮的照片，请将调亮/调暗开关向右移动至 +/调亮位置。要获得更灰暗的照片，请将调亮/调暗开关向左移动至 -/调暗位置。这两个设置分别对应于不同的曝光值 (EV)。相机的曝光值将增加  $\frac{1}{2}$  EV（当将此开关移动到 +/调亮位置时）和减少  $\frac{1}{2}$  EV（当将此开关移动到 -/调暗位置时）。

### 5. 使用取景器

OneStep 2 使用位于镜筒右侧的传统取景器。将右眼对准取景器背后的空间时，取景器的取景最为准确。

**注意** 请记住，取景器位于相机镜头右侧，且稍稍高于镜头——换言之，以您拍照时的视角来看，位于镜头的左上方——因此，在拍摄距离不超过 1.2 米的拍摄主体时，您需要调整自己的目标，以确保正确构图。

### 6. 构图

为避免照片模糊，请确保拍摄时，至少距离拍摄主体 60 厘米（2 英尺）。为获得最佳效果，请始终尽可能使光源位于您身后进行拍摄。

### 7. 拍照

将快门按钮按到底，即可拍照。在您松开快门按钮后，照片将立即从相机前部的相纸槽弹出。相纸遮光板将可以遮挡光线照射相纸，相纸始终保持原位不动，直至您准备取出为止。

### 8. 取出照片和挡光

从相纸遮光板下方取出照片，让相纸遮光板卷回到相机中。让照片正面朝下，在其显影期间继续为其遮挡光线。

97

用户手册

## 详细指南

### 使用自动定时器

OneStep 2 具备自动定时器的功能，这样您就可以将自己拍摄到照片中，或者创作完美定时的照片。要使用自动定时器，请按下图左侧的自动定时器按钮。自动定时器按钮将会以橙色稳定亮起，指示自动定时器已激活。相片构图完毕后，按下快门按钮。自动定时器将在按下快门按钮之后间隔 8 秒钟再执行拍摄。一旦触发自动定时器，其橙色 LED 指示灯将会闪烁，表示自动定时器正在倒计时。在明亮或阳光明媚的环境中，相机闪光灯也会以短暂的低功耗闪烁倒计时。

**注意** 使用自动定时器拍照时，将会自动触发闪光灯。若不使用闪光灯进行自动定时拍摄，请激活自动定时器，然后在按下快门按钮时按住闪光灯覆盖按钮不放。

### 相纸盒中剩余的相纸数

相机顶部有 8 个橙色 LED 指示灯。当 OneStep 2 打开且未处于睡眠模式时，这些 LED 指示灯将会一直点亮，显示相纸数。点亮的 LED 指示灯数目对应于相纸盒中剩余的相纸数。

例如：如果有 6 个 LED 指示灯点亮，则表示相纸盒中剩余 6 张相纸。如果您已用完相纸盒中所有 8 张相纸，或者相机中未插入相纸盒，则在打开相机时，这

些 LED 指示灯将会快速闪烁。

### 剩余电池电量

本相机有 3 种电池电量状态，由相机的 LED 闪烁指示灯表示，分别是：

- 1. 电池有电**——至少够拍摄 2 盒相纸 在拍摄期间充电时，闪光灯 LED 指示灯将呈绿色闪烁，而当准备拍摄时，将保持绿色亮起。
- 2. 电池电量低**——大约够拍摄 1 盒相纸 在拍摄期间充电时，闪光灯 LED 指示灯将呈橙色闪烁，而当准备拍摄时，将保持橙色亮起。
- 3. 电池无电**——没有剩余电量 闪光灯 LED 指示灯将呈红色闪烁，相机将停止工作，直至为其重新充电为止。

完全充满电的 OneStep 2 相机将有足够的电量拍摄 15 到 20 盒相纸，具体取决于实际使用情况。任何时候，如需检查相机的电量状态，请关闭相机，然后在按住自动定时器按钮的同时重新打开相机。相机顶部的 8 个相纸计数器 LED 指示灯将会亮起，指示剩余的电池电量。

例如：如果有 6 个 LED 指示灯亮起，这意味着相机剩余 6/8 (75%) 的电量。一旦放开自动定时器按钮，这些 LED 指示灯将会返回显示相纸盒中剩余的相纸数。

### 兼容相纸

OneStep 2 支持所有 Polaroid Originals I 型和 600 型相纸盒。我们建议使用 I 型相纸，因为其专门针对搭配 OneStep 2

使用而进行过优化。

### 电源

在使用 OneStep 2 之前，请先为其充电，确保相机拥有足够的电量，满足您的拍摄需要（请参阅“为相机充电”）。在相机接通电源充电时，LED 闪烁指示灯将保持稳定红色亮起，而当相机充满电后，该指示灯将会熄灭。

### 连接相机挂绳

参阅指南第 8 页，以连接挂绳。

### 使用三脚架

OneStep 2 的底部设有一个三脚架插孔，支持大多数标准三脚架。只需将三脚架固定座螺丝拧到 OneStep 2 底部的插孔上即可。

**注意**：对于大多数三脚架，在 OneStep 2 上装载或更换相纸之前，需要先拧松三脚架底座。

### 清洁滚轴

有时，照片上过量的显影剂可能积聚在相机的滚轴上，影响相机性能并使照片出现瑕疵。OneStep 2 内建滚轴清洁模式，以帮助解决此问题。只需遵照以下步骤执行：

1. 关闭相机。
2. 打开相纸仓盖。
3. 按住闪光灯覆盖按钮并按下快门按钮。
4. 现在相机进入滚轴清洁模式。

5. 用湿布或棉签轻轻地清洁滚轴。
6. 按下快门按钮，逐步推进滚轴位置。
7. 两个滚轴的各个侧面都清洁完成后，关上相纸仓盖。
8. 滚轴将自动返回正确位置。

## 故障排除和常见问题解答

### 我的 OneStep 2 不能弹出照片/黑卡

确保您的 OneStep 2 相机有电：如果相机由于电量不足而无法工作，相机的 LED 闪烁指示灯将会呈红色闪烁。倘若如此，再次使用相机之前，应先将相机充电。

确保相机中仍有相纸：要检查是否有相纸，请关闭电源开关再重新打开。剩余相纸计数器 LED 指示灯将显示相纸盒中剩余的相纸数。如果再次打开相机时这些 LED 指示灯快速闪烁，这意味着，相纸盒中没有剩余的相纸，或者相机中未插入相纸盒。

### 我拍照时闪光灯不闪光

拍照时，请确保没有不小心按下位于相机背部面板上的闪光灯覆盖按钮。

### 我的照片稍显太暗

我们强烈建议您在室内拍摄、室外夜间

## 拍摄精彩照片的诀窍

### 室内拍摄

室内拍摄时，请始终使用闪光灯，即便您认为不需要使用闪光灯。

室内光线在模拟相纸上会显示为黄

拍摄、黄昏或多云天光照不足条件下拍摄时，始终使用闪光灯拍摄。

请确保不要对着太阳拍摄；OneStep 2 会测量其观测到的平均光强。对着太阳拍摄时，过亮的光线会导致相机在曝光影像时出现过度补偿，进而导致影像过于灰暗而无法正确显露您的主体。将镜筒右侧的调亮/调暗开关移动至 +/调亮位置，可获得更明亮的影像。

### 我的照片模糊不清

拍摄时，请务必稳定持握相机，在弱光条件下尤其如此，同时确保有强光源照亮您的拍摄主体。

我们强烈建议您在室内拍摄、室外夜间拍摄、黄昏或多云天光照不足条件下拍摄时，始终使用闪光灯拍摄。您也可以使用三脚架来稳定支撑相机。拍摄时确保不要过于靠近您的拍摄主体。为了避免照片模糊或失焦，您应至少距离拍摄主体 60 厘米（2 英尺）。

色，OneStep 2 闪光灯设计为补偿这种偏差。

### 夜间拍摄

在派对中（或任何室内夜间环境中）拍摄时，您应始终使用闪光灯。

您还可以尝试移动调亮/调暗开关到 +/调亮位置，以获得更明亮的照片。

### 室外拍摄

自然光是一次成像摄影的最佳搭档。在阳光明媚的日子里室外摄影，您根本不需要使用闪光灯。请确保不要对着太阳拍照；而是背对着太阳，让太阳直接照射主体或者从侧面照射主体进行拍照。

如果环境非常明亮，您可以尝试将调亮/调暗开关移动到 -/调暗位置，以减弱摄入的光线，防止照片“过曝”。

在任何情况下，只要不是在明亮的、阳光直接照射的情况下拍照，我们建议您仍然使用闪光灯以实现最佳的拍照效果。

### 拍摄风景照

在您尝试拍摄风景照时，请确保阳光或主光源位于您身后，以防止影像因光线太强而出现“过曝”。在多云或阴天，光照较弱时，您可能需要将相机置于三脚架上或稳定表面上，这样可以更轻松地让整个场景都保持在焦点范围内。

## 客户支持

### 美国/加拿大

usa@polaroidoriginals.com  
+212 219 3254

### 欧洲/世界其他地区

service@polaroidoriginals.com  
00 800 577 01500

### Impossible B.V.

P.O. Box 242  
7500 AE Enschede  
The Netherlands

Polaroid Originals 客户支持团队始终乐于倾听您的心声。请使用下面提供的联系方式与我们联系。如需获取更详细的最新信息，请访问：[polaroidoriginals.com/help](http://polaroidoriginals.com/help)

## 技术规格

### 一般规格

#### 尺寸

150 mm (长) × 111 mm (宽) × 97 mm (高)

#### 重量

460 g (不含相纸盒)

#### 工作温度

4 - 42° C, 5 - 90% 相对湿度

#### 兼容相纸

Polaroid Originals i 型和 600 型（两种类型均同时支援彩色和黑白，还包括特别版）

#### 电池

高性能锂离子电池，1100 mAh, 3.7 V 额定电压，4.07 Wh

### 材质

#### 外壳

聚碳酸酯 + ABS 塑料

#### 镜头

光学级聚碳酸酯和丙烯酸镜头，带涂层镀膜

#### 快门系统

定制设计，使用精密步进电机

### 光学系统

#### 镜头

定焦镜头

#### 焦距

106 mm

#### 视野

垂直 41 度，水平 40 度

### 闪光系统

真空放电管选通

## 安全信息

**警告**——触电危险——请勿拆开/拆解电动滚轴系统

- 切勿拆解本设备。重新组装不正确可能导致再次使用该设备时存在触电危险。
- 切勿将本设备置于水中或其他液体中。
- 切勿在非常潮湿的环境中或者灰尘密布的环境中使用本设备。
- 切勿尝试改装、调整或拆卸电池和/或设备相机纸仓盖背后滚轴下方的电子元件。
- 切勿尝试拆卸相机纸仓盖本身，因为其与设备机身之间存在电气连接。此类操作很不安全，很可能会损坏您的设备并将导致您的保修失效。
- 切勿让金属物体进入本设备。
- 切勿让任何物体进入滚轴或齿轮。
- 让小孩和婴儿远离本设备，以避免遭到设备中移动部件的意外损伤。
- 切勿在热源或任何产生热量的设备（包括立体声功放）的附近使用或存放本设备。
- 切勿在易燃易爆气体的附近使用本设备。
- 如发现任何异味、异常噪音或烟雾，切勿对本设备充电。
- 切勿尝试拆解相机的电池或以任何方式改装电池（如果使用 600 型相纸）。如果电池液体进入您的眼睛，请立即使用新鲜干净流动的冷水冲洗眼睛并立即就诊。

## 电池和充电器

- 本设备使用不可拆卸的定制锂离子电池，其安装在相机机身内部。不可使用任何其他类型的电池。只能由授权服务中心更换电池。如果使用得当，电池可使用多年。
- 电量消耗取决于设备的使用环境和设备的存放方式。在充满电后立即使用，在使用闪光灯曝光的情况下，电池最多可支持拍摄 20 盒相纸。由于闪光灯需要消耗很多能量，我们建议在每次使用相机之前立即对相机充满电，以获得最佳的续航表现。
- 当电池电量低于一定水平时，本设备将不再处理相纸。LED 指示灯将闪烁，指示其需要重新充电。这是为了避免在通过滚轴系统处理相纸时出现卡纸。
- 在购买相机时，此充电电池未充满电。请使用 USB 充电线（随附）为电池充电。充满电大约需要 1 到 2 小时（取决于电池使用情况）。
- 提供的 USB 充电线经过测试，可搭配 Apple iPhone 电源适配器使用。尽管该 USB 充电线也可用于其他 USB 端口（例如计算机、USB 电源适配器、电视、车载设备等），但不能保证能够正常工作。
- 本设备不再使用时，请予妥善回收。

## 使用环境

- 为了保护本设备中的高精度元件，切勿将此相机长时间置于以下环境中：高温（+42° C），高度潮湿，温度变化剧烈（骤冷骤热）或阳光直射的地方，多沙尘环境（例如海滩），潮湿的地方或剧烈震动的地方。
- 切勿使本设备掉落或使其受到严重的冲击或震动。
- 切勿推拉或按压镜头。

## 合规性

### 关于锂离子电池的重要使用说明

- 切勿投入火中。
- 切勿短路。
- 切勿拆解。
- 一旦损坏，切勿继续使用。
- 正确弃置。
- 切勿近投水中。

### 欧盟符合性声明

Impossible B.V. 特此声明：OneStep 2 一步成像模拟相机在用于其设计用途时符合电磁兼容性指令 (2014/30/EU)、低电压指令 (2014/35/EU)、有害物质限制指令 (2011/65/EU) 和其他相关条例的基本要求。



上面的符号表示：根据当地法律法规，本产品应与家居废物分开弃置。当本产品寿命耗尽时，应将其带到当地有关部门指定的垃圾收集点。某些收集点免费收集本产品。在弃置本产品时，单独收集和回收本产品有助于节约自然资源，确保以保护人类健康和环境的方式进行回收。

# 使用手冊

## 保固

請透過以下連結查詢本相機的保固：  
[polaroidoriginals.com/warranty](http://polaroidoriginals.com/warranty)





## 包裝盒內容

- 01 OneStep 2 相機
- 02 USB 充電線
- 03 使用手冊
- 04 相機帶

## 如何使用 OneStep<sup>2</sup>

### 為相機充電

**重要提醒** OneStep 2 在購買時未充電。在首次使用之前，應先為相機充電。要為相機充電，請將 USB 充電線插入相機背面板上的 Micro-USB 插槽中，將充電線的另一端接入充電器，例如智慧型手機的轉接器或電腦的 USB 插槽。在電池充電後，紅色的快充 LED 指示燈將會熄滅。

使用智慧型手機轉接器連接牆壁插座時，完全充電電約需 2 小時，透過電腦的 USB 插槽充電時，完全充電最多需要 4 小時。視乎實際使用情況而定，完全充電的 OneStep 2 相機將有足夠的電力拍攝 15 到 20 盒底片。請記得，為了延長電池壽命，每次使用之後請關閉相機。

### 1. 開啟/關閉相機

要開啟相機，請將電源開關撥動到開啟位置（下方）。背面板上的 LED 快充 LED 指示燈將開始閃爍，對閃光燈充電，相機頂部的剩餘底片計數將會亮起，表示相機已開啟。要再次關閉相機，請將電源開關撥回關閉位置。

### 2. 裝底片

撥動底片蓋卡榫，打開底片蓋。將底片匣完全推入底片盒，底片的擋光

片朝上。

**注意** 請查看每盒底片包裝上的顯影時間、操作和存放詳細說明。

### 3. 關閉底片蓋

關閉底片蓋時，擋光片將自動從相機的底片遮光板下方彈出。塑膠底片遮光板設計用於防止在顯影過程中光線照射到影像，請勿移除此遮光板。從底片遮光板下方取出擋光片，捲回底片遮光板。若未彈出擋光片，則取出並重新插入底片，並確定其完全推入到相機背面。

### 4. 設定閃光燈和調亮/調暗

**閃光燈** 使用 OneStep 2 時，將會預設觸發相機閃光燈。若要不使用閃光燈拍攝，請在按下快門按鈕時按住背面板上的閃光燈覆蓋按鈕不放。

**警告** 除非在明亮的日光照射環境下，否則不使用閃光燈拍攝會降低相機的性能表現和畫質。我們建議一律使用閃光燈拍攝

**調亮/調暗** 使用鏡筒右側的調亮/調暗開關可以調整曝光度。要拍攝出更明亮的照片，請將調亮/調暗開關向右移至 +/調亮位置。若要較暗的照片，請將調亮/調暗開關向左移至 -/調暗位置。這兩個設定分別對應於不同的曝光值 (ev)。相機的曝光值將增加 +½ ev (將此開關移至 +/調亮位置時) 和減少 -½ ev (將此開關移至 -/調暗位置時)。

### 5. 使用觀景窗

OneStep 2 使用傳統觀景窗，位於鏡筒的右側。以右眼對準觀景窗背後的空間時，觀景窗的取景最為準確。

**注意** 請記得，觀景窗位於相機鏡頭右側，且稍稍高於鏡頭，換言之，以拍照時的視角來看，位於鏡頭的左上方，因此，在拍攝距離不超過 1.2 公尺的拍攝主體時，您需要調整自己的目標，以確保正確構圖。

### 6. 構圖

為避免照片模糊，請確保在拍攝時，至少距離拍攝主體 60 公分 (2 英尺)。為獲得最佳效果，請儘量使用身後的光源進行拍攝。

### 7. 拍照

將快門按鈕按到底，即可拍照。在鬆開快門按鈕後，照片將立即從相機正面的照片槽彈出。底片遮光板會遮擋光線照射照片，並保持在原位不動，直至準備好取出為止。

### 8. 取出照片和遮光

從底片遮光板下方取出照片，讓底片遮光板捲回到相機中。讓照片正面朝下，在顯影期繼續遮擋光線。

## 詳細指南

### 使用自拍計時器

OneStep 2 具備自拍計時器功能，以便可以將自己拍攝到照片中，或創作完美定時的照片。要使用自拍計時器，請按下鏡筒左側的自拍計時器按鈕。自拍計時器按鈕將會以橙色穩定亮起，表示自拍計時器已啟動。在照片構圖完畢後，按下快門按鈕。自拍計時器將在按下快門按鈕之後間隔 8 秒再執行拍攝。一旦觸發自拍計時器，自拍計時器的橙色 LED 燈將會閃爍，表示自拍計時器正在倒數計時。在明亮或有陽光的环境中，相機閃光燈也會以短暫的低功率閃爍進行倒數計時。

**注意** 使用自拍計時器拍照時，將會自動觸發閃光燈。若要不使用閃光燈進行自拍計時，請啟動自拍計時器，接著在按下快門按鈕時按住閃光燈覆蓋按鈕不放。

### 底片盒中剩餘的底片數

相機頂部有 8 個橙色 LED 指示燈。當 OneStep 2 開啟且未處於睡眠模式時，這些 LED 指示燈將會一直亮著，顯示底片數量。相機將會根據底片盒中剩餘的底片數量亮起相對應數目的 LED 指示燈。

例如：如果有 6 個 LED 指示燈亮起，表示底片盒中剩餘 6 張底片。如果底片盒

中的所有 8 張底片全數用盡，或相機中未插入底片盒，則在開啟相機時，這些 LED 指示燈將會快速閃爍。

### 剩餘電池電量

相機有 3 種電池電量狀態，由相機的快充 LED 指示燈表示，分別是：

1. **電池有電**——電量至少足夠拍攝 2 盒底片。  
在拍攝期間充電時，閃光燈 LED 指示燈將呈綠色閃爍，而當準備好可以拍攝時，將保持綠色亮起。
2. **電池電量低**——電量大約夠拍攝 1 盒底片。  
在拍攝期間充電時，閃光燈 LED 指示燈將呈橙色閃爍，而當準備好可以拍攝時，將保持橙色亮起。
3. **電量耗盡**——沒有剩餘電量。  
閃光燈 LED 指示燈將呈紅色閃爍，相機將停止運作，直到重新充電為止。

視乎實際使用情況而定，完全充電的 OneStep 2 相機將有足夠的電力拍攝 15 到 20 盒底片。如需在任何時候檢查相機的電量狀態，請關閉相機，然後在按住自拍計時器按鈕的同時重新開啟相機。相機頂部的 8 個底片計數器 LED 指示燈將會亮起，表示剩餘的電池電量。

例如：如果有 6 個 LED 指示燈亮起，表示相機剩餘 6/8 (75%) 的電量。一旦放開自拍計時器按鈕，這些 LED 指示燈將會繼續顯示底片盒中剩餘的底片數量。

### 相容底片

OneStep 2 適用於所有 Polaroid Originals i-Type 和 600 型底片盒。我們建議使用 i-Type 底片，因為這種底片經最佳化設計，適合搭配 OneStep 2 使用。

### 電源

在使用 OneStep 2 之前，請先為其充電，確保相機擁有足夠的電量進行拍攝（請參閱「為相機充電」）。在相機接上電源充電時，快充 LED 指示燈將保持紅色亮起，當相機充電後，該指示燈將會熄滅。

### 連接相機掛繩

請參閱第 8 頁的連接掛繩說明。

### 使用三腳架

OneStep 2 的底部有一個三腳架插孔，支援大多數標準三腳架。只需將三腳架固定座扭至 OneStep 2 的底部即可。

**注意** 對於大多數三腳架來說，在 OneStep 2 上裝入或更換底片之前，需要先扭鬆三腳架底座。

### 清潔滾輪

在某些情況下，照片上多餘的顯影劑可能會累積在相機的滾輪上，影響相機的性能，並導致照片出現不必要的瑕疵。OneStep 2 有內建的滾輪清潔模式，有助於解決此問題。步驟如下：

1. 關閉相機。
2. 打開底片蓋蓋。
3. 按住閃光燈覆蓋按鈕，然後按下快門按鈕。
4. 相機這時即進入滾輪清潔模式。
5. 使用沾溼的布或棉花棒，輕輕清潔滾輪。
6. 按快門按鈕，慢慢將滾輪往前推。
7. 當兩個滾輪四面皆乾淨時，關上底片蓋蓋。
8. 滾輪會自動回到正確的位置。

## 故障排除與常見問答

### 我的 OneStep 2 無法彈出照片/檔光片

請確認 OneStep 2 相機有電：如果相機由於電量不足而無法運作，相機的快充 LED 指示燈會呈紅色閃爍。在這種情況下，請為相機重新充電後再使用。請確認相機中仍有底片：要檢查是否有底片，請關閉電源開關再重新開啟。剩餘底片計數器 LED 指示燈將顯示底片盒中剩餘的底片數量。如果再次開啟相機時，這些 LED 指示燈快速閃爍，則表示底片盒中沒有剩餘的底片，或相機中未插入底片盒。

### 我拍照時閃光燈未閃光

拍照時，請確認沒有不小心按下位於相

機背面板上的閃光燈覆蓋按鈕。

#### 我的照片稍顯太暗

我們強烈建議在室內拍攝、戶外夜間拍攝、黃昏或陰天時進行弱光拍攝時，一律使用閃光燈拍攝。

請確認未對著太陽拍攝，OneStep 2 會測量其觀測到的平均照度。對著太陽拍攝時，過亮的光線會導致相機在曝光影像時出現過度補償，進而導致影像過於灰暗而無法正確顯示主體。

將鏡筒右側的調亮/調暗開關向右移至 +/調亮位置，可拍攝出更明亮的影像。

#### 我的照片模糊不清

拍攝時，請務必握穩相機，在弱光條件下尤其如此，同時確保有強光源照亮您的拍攝主體。我們強烈建議您在室內拍攝、室外夜間拍攝、黃昏或多雲天光照不足條件下拍攝時，始終使用閃光燈拍攝。您也可以使用三腳架來穩定支撐相機。拍攝時確保不要過於靠近您的拍攝主體。為了避免照片模糊或失焦，您應至少距離拍攝主體 60 厘米（2 英尺）。

## 拍攝精彩照片的訣竅

#### 室內拍攝

室內拍攝時，請一律使用閃光燈，即使你認為不需要使用閃光燈。

室內光線在類比底片上會顯示為黃色，OneStep 2 閃光燈的設計則考慮到補償這種偏差。

#### 夜間拍攝

在派對中（或任何室內夜間環境中）拍攝時，應一律使用閃光燈。

此外也可以嘗試將調亮/調暗開關移至 +/調亮位置，以拍攝出更明亮的照片。

#### 戶外拍攝

自然光是寶麗來攝影的最佳搭檔。在有陽光的戶外，完全不需要使用閃光燈。請不要對著太陽拍照；而是背對著太陽、讓太陽直接照射主體或者從側邊照射主體進行拍攝。

如果環境非常明亮，可以嘗試將調亮/調暗開關移至 -/調暗位置，以減弱輸入的光線，防止照片「過度曝光」。在任何情況下，只要不在明亮、陽光直接照射的情況下拍照，我們建議仍使用閃光燈，以達到最佳的拍照效果。

#### 拍攝風景

嘗試拍攝風景照時，請確保陽光或主光源位於身後，以防止影像因光線太強而出現「過度曝光」的情況。

在多雲或陰天等光照較弱時，可以將相機置於三腳架上或穩定表面上，以便更輕鬆地讓整個場景都保持對焦。

## 客戶服務

#### 美國/加拿大

usa@polaroidoriginals.com  
+212 219 3254

#### 歐洲/世界其他地區

service@polaroidoriginals.com  
00 800 577 01500

#### Impossible B.V.

P.O. Box 242  
7500 AE Enschede  
The Netherlands

Polaroid Originals 客戶支援團隊很樂意聽取使用者的意見。請使用下面提供的聯絡方式與我們聯絡。如需更多詳細和最新資訊，請造訪 [polaroidoriginals.com/help](http://polaroidoriginals.com/help)

## 技術規格

#### 一般

尺寸  
150 公釐（長）× 111 公釐（寬）× 97 公釐（高）  
重量  
460 公克（不含底片盒）  
操作溫度  
4 - 42° C / 40 - 108° F, 5 - 90% 相對濕度  
相容底片  
Polaroid Originals i-Type 和 600 型彩色與黑白底片，包括特別版。  
電池  
高效能鋰離子電池，1100mAh, 3.7V 額定電壓，4.07Wh

#### 材質

外殼  
聚碳酸酯 + ABS 塑膠  
鏡頭  
光學級聚碳酸酯鍍膜鏡頭  
快門系統  
特殊客製化設計，採用精密型步進馬達

#### 光學系統

鏡頭  
定焦鏡頭  
焦距  
106 公釐  
視野  
垂直 41 度，水平 40 度

#### 閃光燈系統

真空放電管閃光燈

## 安全資訊

警告觸電危險 - 請勿打開拆卸電動滾輪系統。

- 請勿拆卸本裝置。如組裝不當，再次使用裝置時可能會導致觸電。
- 請勿將裝置浸於水中或其他液體中。
- 請勿在非常潮濕 或灰塵密佈的環境 中使用本裝置。
- 請勿試圖改裝、調整或拆下位於裝置底片輪後方滾輪下的電池和/或電子元件。
- 請勿拆下底片輪蓋本身，因為它與裝置機身以電子方式連接。這屬於不安全操作，可能會損壞裝置並使保固失效。
- 請勿將金屬物體插入本裝置中。
- 請勿將任何物體插入滾輪或齒輪中。
- 請讓孩童和嬰兒遠離本裝置，以免受到裝置活動零件的傷害。
- 請勿在任何熱源或任何類型的發熱設備（包括立燈聲光大器）附近使用或存放本裝置。
- 請勿在易燃或易爆氣體附近使用本裝置。
- 如發現任何異味、異常噪音或煙霧，請勿對本裝置進行充電。
- 請勿試圖拆卸相機的電池或以任何方式改裝電池（如果使用 600 型底片）。如果眼睛沾到電池的液體，請立即用乾淨的冷自來水沖洗眼睛並立即就醫。

## 電池與充電器

- 本裝置使用特別訂製的鋰離子電池。電池安裝在相機機身內部，不可拆卸。不可使用任何其他類型的電池。電池僅可由授權維修中心進行更換。如果使用得當，電池可使用多年。
- 耗電量取決於裝置的使用環境和存放方式。如充電後立即使用，在使用閃光燈曝光的情況下，電池最多可支撐拍攝 20 盒底片。由於閃光燈的耗電量較大，為獲得最佳拍攝效果，我們建議在每次使用前都為相機充電。
- 一旦電池的電量低於一定值，裝置將不再處理底片。裝置需要充電時，LED 指示燈將會閃爍並發出訊號。這是為了避免滾輪系統在處理照片時出現卡紙。
- 相機在售出時，可充電電池並未充電。請使用隨附的 USB 充電線為電池充電。充電電通常需要 1-2 小時（取決於使用情況）。
- 提供的 USB 充電線經過測試，可搭配 Apple iPhone 電源 轉接器使用。儘管也可用於其他 USB 埠（如電腦、USB 電源轉接器、電視、車用等），但不能保證能夠正常運作。
- 不再使用本裝置時，請妥善予以回收。

## 使用環境

- 為了保護本裝置中的高精密元件，切勿將相機長時間置於以下環境中：高溫（+42° C/108° F）、高度潮濕、溫度變化劇烈（劇冷驟熱）或陽光直射之處，多沙多塵環境（例如海灘）；潮濕處或劇烈振動的地方。
- 切勿讓本裝置掉落或受到嚴重的衝擊或振動。
- 切勿推拉或按壓鏡頭。

## 合規

### 關於鋰離子電池的重要注意事項

- 請勿投入火中。
- 請勿使其短路。
- 請勿拆解。
- 一旦損壞，切勿繼續使用。
- 使用後正確棄置。
- 請遠離水。

### 歐盟符合性聲明

Impossible B.V. 茲此聲明，OneStep 2 拍立得相機在用於其設計用途時符合電磁兼容性指令 (2014/30/EU)、低電壓指令 (2014/35/EU) 和 RoHS 指令 (2011/65/EU) 和其他相關條例的基本要求。



此符號表示，根據當地法律與法令，本產品應與家庭廢棄物分開棄置。當本產品壽命耗盡時，應將其帶到地方當局指定的收集站。部分收集站免費收集本產品。在棄置本產品時，單獨收集和回收本產品有助於節約自然資源，確保以保護人類健康和環境的方式進行回收。

# 사용 설명서

## 보증

이 카메라의 보증에 대한 내용은 다음 링크에서 확인하십시오: [polaroidoriginals.com/warranty](https://polaroidoriginals.com/warranty)

## 제품 구성

- 01 OneStep 2 카메라
- 02 USB 충전 케이블
- 03 사용 설명서
- 04 카메라 목 스트랩



## OneStep<sup>2</sup> 사용법

### 카메라 충전

**중요** OneStep 2는 완전 충전되지 않은 상태로 판매되므로 처음 사용하기 전에 완전 충전한 후 사용해야 합니다. 카메라를 충전하려면 USB 충전 케이블을 카메라 후면 패널에 있는 마이크로 USB 슬롯에 연결하고 케이블의 반대쪽 끝을 스마트폰 어댑터나 컴퓨터의 USB 슬롯과 같은 충전기에 연결하십시오. 배터리가 완전 충전되면 빨간색의 플래시 충전 LED가 꺼집니다. 스마트폰 어댑터에 콘센트에 연결하여 충전할 경우 완전히 충전하는데 약 2 시간이 걸리며, 컴퓨터의 USB 슬롯을 통해 충전하면 4시간까지 걸릴 수 있습니다. 완전 충전된 OneStep 2 카메라는 사용 유형에 따라 15-20팩의 필름을 충분히 촬영할 수 있습니다. 사용한 후에는 반드시 카메라 전원을 꺼서 배터리 수명을 절약하도록 하십시오.

### 1. 카메라의 전원 켜기/끄기

카메라를 켜려면 전원 스위치를 켜기 위치(아래로)에 전환합니다. 후면 패널의 플래시 충전 LED가 깜박이기 시작하면서 플래시가 충전되며, 카메라 상단의 나머지 필름 카운터에 불이 들어와 카메라의 전원이 켜졌음을 알립니다. 카메라의 전원을 다시 끄려면 전원 스위치를

끄기 위치로 전환합니다.

### 2. 필름 로드

필름 도어 래치를 밀어 필름 도어를 엽니다. 필름의 다크슬라이드를 위로 하여 필름 카세트를 끝까지 밀어 넣습니다. 참고 현상 시기, 취급 및 보관에 대한 상세정보는 각각의 필름 포장을 확인하십시오.

### 3. 필름 도어 닫기

필름 도어를 닫을 때, 필름의 다크슬라이드가 카메라의 필름 가리개 아래에서 자동으로 나옵니다. 플라스틱 필름 가리개는 이미지를 현상할 때 빛을 차단하도록 설계되었으므로 분리할 수 없습니다. 필름 가리개 아래에서 다크슬라이드를 꺼내 필름 가리기가 다시 원위치로 돌아가도록 하십시오. 다크슬라이드가 나오지 않으면 필름 팩을 꺼내 다시 넣으면서 카메라 뒤쪽까지 완전히 밀려 들어갔는지 확인하십시오.

### 4. 플래시 및 밝기 설정

플래시 OneStep 2로 사진을 찍을 때 기본적으로 카메라 플래시가 작동합니다. 플래시 없이 촬영하려면 후면 패널의 플래시 비활성화 버튼을 누른 상태로 촬영 버튼을 누르십시오.

경고 플래시 없이 촬영하면 밝은 조명이나 햇빛이 있는 환경을 제외하고 대부분의 조명에서 카메라 성능과

필름 품질이 저하됩니다. 따라서 항상 플래시를 사용하여 촬영할 것을 권장합니다.

**밝기 조절** 렌즈동 오른쪽의 밝기 조절 스위치를 사용하여 촬영 밝기를 조절합니다. 밝은 사진을 찍으려면 밝기 조절 스위치를 오른쪽으로 움직여 플러스/밝게 위치로 가게 하십시오. 어두운 사진을 찍으려면 밝기 조절 스위치를 마이너스/어둡게 위치로 전환하십시오. 이러한 설정은 다양한 노출값(ev)에 해당합니다. 카메라의 노출값은 +½ ev(스위치를 플러스/밝게 위치로 움직일 때) 및 -½ ev(스위치를 마이너스/어둡게 위치로 움직일 때)입니다.

### 5. 파인더 사용

The OneStep 2는 경동 오른쪽에 위치한 뷰파인더를 이용합니다. 뷰 파인더는 오른쪽 눈을 뷰 파인더 뒤쪽의 공간에 맞출때 가장 정확하게 보입니다.

**참고** 파인더는 카메라 렌즈에서 약간 오른쪽 위에 위치하고 촬영할 때 사용자를 기준으로 왼쪽 위에 위치하므로 1.2m 미만의 거리에서 촬영할 때 구도를 제대로 잡으려면 목표물의 초점을 조절해야 합니다. .

### 6. 사진 구도

흐릿한 사진이 되지 않게 하려면 피사체로부터 2피트(60cm) 이상 거리를 두고 촬영해야 합니다. 최상의 결과를 얻으려면 광원을 등지고 촬영하도록

하십시오.

### 7. 사진 촬영

촬영 버튼을 끝까지 눌러 사진을 찍으십시오. 촬영 버튼에서 손가락을 떼면 곧 카메라 전면의 슬롯에서 사진이 나올 것입니다. 필름 가리개가 빛을 가려주며 사용자가 사진을 뺄 때까지 그 자리에 남겨둡니다.

### 8. 사진 꺼내기 및 가리기

필름 가리개 아래에서 사진을 꺼내면 필름 가리개가 다시 카메라 속으로 들어갑니다. 사진의 전면을 아래로 하여 현상되는 동안 빛을 가리도록 하십시오.

## 기타 지침

### 셀프 타이머 사용

OneStep 2에는 셀프 타이머 기능이 있어서 자신의 모습을 찍거나 완벽하게 시간 설정된 사진을 찍을 수 있습니다. 셀프 타이머를 사용하려면 렌즈를 왼쪽의 셀프 타이머 버튼을 누르십시오. 셀프 타이머 버튼에 주황색 표시등이 켜지며 셀프 타이머가 활성화되었음을 알립니다. 사진의 구도를 정했으면 촬영 버튼을 누르십시오. 셀프 타이머는 촬영 버튼을 누른 후 사진을 찍을 때까지 8초의 시차를 둡니다. 작동이

시작되면 셀프 타이머의 주황색 LED가 깜박이며 셀프 타이머 시간이 줄어듭니다. 밝거나 햇빛이 있는 환경에서는 카메라 플래시가 전원 소비가 적은 플래시를 짧게 보이면서 카운트다운을 합니다.

**참고** 셀프 타이머로 사진을 찍을 때 플래시가 자동으로 작동합니다. 플래시 없이 셀프 타이머를 이용한 사진을 찍으려면 셀프 타이머를 활성화하고 플래시 비활성화 버튼을 누른 채로 촬영 버튼을 누르십시오.

### 필름 팩에 남은 필름의 수량

카메라 상부에는 8개의 주황색 LED가 있습니다. OneStep 2의 전원을 켜고 슬립 모드가 아니라면 이 표시등이 남은 필름 수량을 표시합니다. 즉, 불이 들어온 표시등의 수가 필름 팩에 남은 수량에 해당합니다.

예 6개의 표시등에 불이 들어왔으면 필름 팩에 6개의 필름이 남은 것입니다. 필름 팩에서 8개의 필름을 모두 사용했거나 카메라에 필름 팩을 넣지 않았다면 카메라를 켜올 때 이 표시등이 빠르게 깜박일 것입니다.

### 배터리 잔여 전원

카메라의 3가지의 배터리 상태는 카메라의 플래시 충전 LED 조명으로 표시됩니다.

#### 1. 배터리 충전 완료:

필름 2팩 이상을 사용할 수 있는 전력. 촬영을 하지 않고 충전하는 동안에는

플래시 LED가 녹색으로 표시되어 깜박이며, 촬영할 준비가 되었으면 녹색 등이 켜집니다.

#### 2. 배터리 전력 낮음:

필름 1팩을 사용할 수 있는 전력. 촬영을 하지 않고 충전하는 동안에는 플래시 LED가 주황색으로 표시되어 깜박이며, 촬영할 준비가 되었으면 주황색 등이 켜집니다.

#### 3. 배터리 부족:

남은 전원이 없습니다. 플래시 LED가 빨간색으로 깜박이며 카메라가 재충전될 때까지 작동하지 않습니다.

완전 충전된 OneStep 2 카메라는 사용 유형에 따라 15-20팩의 필름을 충분히 촬영할 수 있습니다. 카메라의 충전량을 확인하려면 셀프 타이머 버튼을 누른 채로 카메라의 전원을 껐다가 다시 켜십시오. 카메라 상단의 8개의 필름 카운터 LED에 불이 들어오며 배터리 잔량이 표시됩니다. 예: 6개가 켜지면 카메라에 남은 전원이 6/8(75%)이라는 뜻입니다. 셀프 타이머 버튼에서 손가락을 떼면 LED가 필름 팩에서 남은 필름의 수를 표시하는 기능으로 돌아옵니다.

### 호환성 필름

OneStep 2는 모든 Polaroid Originals i-타입과 600 타입의 필름 팩을 사용할 수 있습니다. i-타입 필름은 OneStep 2에

사용하도록 최적화되었기 때문에 이 필름을 권장합니다.

### 전원 공급

OneStep 2를 사용하기 전에 충전하여 촬영하는 동안 전원이 부족하지 않도록 하십시오(참조 →카메라 충전). 카메라를 전원에 연결하고 충전하는 동안 플래시 충전 LED가 빨간색으로 켜지고, 완전 충전되면 LED가 꺼집니다.

### 카메라 목 스트랩 부착

목 스트랩 부착에 대한 지침은 8페이지를 참조하십시오.

### 삼각대 사용

OneStep 2의 밑부분에는 삼각대 소켓이 있어서 대부분의 표준 삼각대에 사용할 수 있습니다. 삼각대를 돌려 OneStep 2 바닥의 소켓에 장착하기만 하면 됩니다.

**참고** 대부분의 삼각대에서 OneStep 2에 필름을 넣거나 교환하기 전에 삼각대를 분리해야 합니다.

### 롤러 청소

사진의 현상액이 과도하면 카메라 롤러에 누적되어 카메라의 성능에 영향을 주고 사진에 불필요한 결함이 생기는 경우가 있습니다. OneStep 2에는 내장형 롤러 청소 모드가 있어서 이러한 문제를 해결하고 있습니다. 다음 절차를 따르기만 하면 됩니다.

1. 카메라의 전원을 끕니다.
2. 필름 도어를 엽니다.
3. 플래시 비활성화 버튼을 누른 채로 촬영 버튼을 누릅니다.
4. 카메라의 롤러 청소 모드가 시작됩니다.
5. 젖은 헝겊이나 면봉을 사용하여 롤러를 조심스럽게 청소합니다.
6. 롤러를 빨리 감으려면 촬영 버튼을 누릅니다.
7. 롤러를 모든 방향에서 청소했으면 필름 도어를 닫습니다.
8. 롤러가 자동으로 원위치로 돌아갈 것입니다.

## 문제해결 및 FAQ

### OneStep2에서 사진/다크슬라이드가 나오지 않아요

OneStep 2 카메라가 충전되었는지 확인하십시오. 카메라가 작동할 정도로 충전되지 않으면 플래시 충전 LED가 빨간색으로 표시됩니다. 이 경우, 카메라를 다시 사용하기 전에 카메라를 재충전해야 합니다. 카메라에 필름이 남아 있는지 확인하십시오. 전원 스위치를 껐다가 다시 켜면 확인할 수 있습니다. 잔여 필름 카운터 LED는 필름 팩에 남은 필름의 수를 표시합니다. 카메라를 다시 켜는 때 이 LED가 빨리 깜박이면 필름 팩에

필름이 없거나 필름 팩일 넣지 않은 것을 의미합니다.

### 사진을 찍었을 때 플래시가 터지지 않아요

사진을 찍을 때 카메라 후면 패널에 있는 플래시 비활성화 버튼을 실수로 누르지 않도록 하십시오.

### 사진이 너무 어둡게 나왔어요

실내에서 촬영하거나, 밤에 실외에서 촬영하거나, 빛이 적은 흐린날에 촬영할 때는 플래시를 사용해 촬영할 것을 적극 권장합니다.

OneStep 2는 보이는 평균적인 빛의 양을 측정하므로 태양과 마주보며 촬영하지 않도록 하십시오. 태양과 마주보며 촬영할 경우, 이미지를 노출할 때 과도한 빛이 카메라의 과도 보정을 유발하여 이미지가 너무 어두워져서 피사체를 올바르게 노출하지 못할 수 있습니다. 밝은 이미지를 촬영하려면 렌즈를 오른쪽의 밝기 조절 스위치를 플러스/밝게 위치로 전환합니다.

### 사진이 너무 흐리게 나왔어요

촬영할 때 특히 빛이 적은 상태일 때는 카메라를 잘 고정하고, 피사체를 밝혀줄 밝은 광원을 활용하도록 하십시오. 실내에서 촬영하거나, 밤에 실외에서 촬영하거나, 빛이 적은 흐린날에 촬영할 때는 플래시를 사용해 촬영할 것을 적극 권장합니다. 또한 삼각대를 이용하여

카메라의 바닥을 안정적으로 고정할 수도 있습니다.

사진을 찍을 때 피사체에 너무 가까이 접근하지 않도록 하십시오. 흐리거나 초점이 맞지 않는 사진이 되지 않게 하려면 피사체로부터 60cm(2피트) 이상 거리를 두어야 합니다.

## 최고의 사진 촬영을 위한 요령

### 실내에서 사진 촬영

실내에서 촬영할 때는 플래시가 필요없다고 생각해도 항상 플래시를 사용하십시오.

실내 조명은 아날로그 필름에서 노란색으로 보이는데 OneStep 2 플래시는 이것을 보정하도록 설계되었습니다.

### 야간 사진 촬영

파티에서 사진을 찍을 때는(또는 야간의 실내 환경) 항상 플래시를 사용해야 합니다.

밝기 조절 스위치를 플러스/밝게 위치로 전환하여 더 밝은 사진을 찍을 수도 있습니다.

### 야외에서 사진 촬영

자연광은 즉석 사진을 찍을 때 최고의 조명이 됩니다. 맑은 날 야외에서는 플래시를 사용할 필요가 전혀 없습니다. 태양을 마주보며 사진을 찍지 않도록 하고, 햇빛을 등지고 피사체를 정면으로 바라보거나 측면을 보면서 촬영하십시오. 주변이 매우 밝다면 밝기 조절 스위치를 마이너스/어둡게 위치로 전환하여 빛의 양을 줄이고 사진이 "뿌옇게" 되지 않도록 하십시오.

밝은 직사광선에서 사진을 찍지 않을 때 최상의 결과를 얻으려면 플래시를 사용할 것을 권장합니다.

### 풍경 사진 촬영

풍경을 찍을 때는 태양이나 주요 광원을 등지고 서서 이미지가 과도한 빛 때문에 "뿌옇게" 되지 않도록 하십시오. 구름이 많아 빛이 적은 날에는 삼각대나 안정적인 표면에 카메라를 설치하여 전체 풍경에 초점을 맞출 수 있도록 하는 것이 좋습니다.



## 고객 지원

Polaroid Originals 고객 지원팀은 언제든지 도움을 드릴 수 있습니다. 제공된 연락처 정보를 사용하여 연락해 주십시오. 자세한 정보 및 최신 정보는 [polaroidoriginals.com/help](http://polaroidoriginals.com/help)를 방문해 주십시오.

미국/캐나다  
[usa@polaroidoriginals.com](mailto:usa@polaroidoriginals.com)  
+1 212 219 3254

유럽/기타 지역  
[service@polaroidoriginals.com](mailto:service@polaroidoriginals.com)  
00 800 577 01500

Impossible B.V.  
P.O. Box 242  
7500 AE Enschede  
The Netherlands

## 기술 사양

크기  
150mm(길이) × 111mm(너비) × 97mm(높이)  
무게  
440g(필름 팩 포함)  
작동 온도 4-42°C / 40-108°F, 5-90%의 상대 습도  
호환성 필름  
Polaroid Originals i-타입 및 600 타입 필름, 컬러 및 흑백, 특별 버전 포함  
배터리  
고성능 리튬이온 배터리, 1100mAh, 3.7V  
공칭 전압, 4.07Wh

재질  
외부 케이스  
플리카보네이트 + ABS 플라스틱 렌즈  
광학 등급 플리카보네이트 렌즈, 코팅 촬영 시스템  
경일 스텝 모터를 사용한 맞춤형 설계

광학 시스템  
렌즈  
고정 초점 렌즈  
초점 거리  
106mm  
시야  
수직 41도, 수평 40도

플래시 시스템  
진공 방전 튜브 선풍등

## 안전 정보

### 강된 위험 주의 - 움직이는 물리 시스템을 열거나 분해하지 마십시오.

- 카메라를 분해하지 마십시오. 제조필름 잘못된 카메라를 다시 사용할 때 감전의 위험이 될 수 있습니다.
- 카메라를 물이나 기타 용액에 담그지 마십시오. 습도가 높은 환경이나 먼지가 많은 환경에서 카메라를 사용하지 마십시오.
- 카메라의 필름 도어 뒤쪽의 물리 아래에 있는 배터리 및/또는 전기부품을 조작하거나, 조정하거나 분리하지 마십시오.
- 필름 도어는 카메라 본체에 전기적으로 연결되어 있으므로 분리하지 마십시오. 분리할 경우 위험하고 카메라를 손상시킬 수 있으며, 보증이 무효가 됩니다.
- 카메라에 금속 물체를 넣지 마십시오.
- 플러시 기어에 어떠한 물체도 넣지 마십시오.
- 어린 아이나 유아의 손이 닿지 않는 곳에 카메라를 보관하여 카메라의 움직이는 부분으로 인해 부상을 입지 않도록 하십시오.
- 열원이나 스테레오 열포를 포함하여 열을 발생하는 기계류 가까이에서 카메라를 사용하거나 보관하지 마십시오.
- 카메라를 연소성 또는 폭발성 가스 가까이에서 사용하지 마십시오.
- 비정상적인 냄새, 소음 또는 연기를 감지한 경우에는 카메라를 분해하지 마십시오.
- 필름의 배터리를 분해하거나 개조하려고 하지 마십시오(600-타입 필름을 사용할 경우). 배터리 용액이 눈에 들어오면 즉시 깨끗한 흐르는 찬물로 눈을 헹구고 즉시 의학적인 진료를 받으십시오.

### 배터리 및 충전기

- 이 카메라는 분리가 불가능하며 카메라 본체 내부에 장착되는 맞춤형 리튬이온 배터리를 사용합니다. 기타 유형의 배터리는 사용할 수 없습니다. 배터리 교체는 공인된 서비스 센터에서만 할 수 있습니다. 배터리를 올바르게 사용할 경우, 수 년 동안 사용할 수 있습니다.
- 권력 소비량은 카메라를 사용한 환경 및 카메라의 보관 방법에 따라 다릅니다. 배터리를 완전 충전한 직후에 사용하면 플래시를 사용하여 20개의 필름 팩까지 촬영할 수 있습니다. 플래시는 전력을 많이 필요하므로 최상의 결과를 얻으려면 작업을 하기 전에 카메라를 완전히 충전할 것을 권장합니다.
- 배터리의 전압이 특정 레벨 아래로 내려가면 카메라가 필름을 처리하지 못하게 됩니다. 재충전이 필요한 LED가 깜박이며 알릴 수 있습니다. 이것은 시간이 물리 시스템에서 처리될

- 때 끼이는 것을 방지하기 위한 것입니다.
- 재충전이 가능한 배터리는 구입시 완전 충전되지 않은 상태입니다. USB 충전 케이블(포함)을 사용하여 배터리를 완전 충전하십시오. 시간은 1-2시간 정도 소요됩니다(사용량에 따라 다를 수 있음).
- 제공된 USB 충전 케이블은 Apple iPhone 전원 어댑터와의 작동 여부를 테스트했습니다. 컴퓨터, USB 전원 어댑터, TV, 차량 등 다른 USB 포트에서도 사용할 수 있지만 올바른 작동을 보장할 수 없습니다.
- 카메라를 더 이상 사용할 수 없게 되면 올바른 방법으로 재활용해 주십시오.

### 사용 환경

- 이 카메라에 사용된 고정밀 기술을 보호하려면 고온(+42°C/108°F), 고습, 급격한 온도 변화(고온 및 저온), 직사광선, 해면과 같은 모래나 먼지가 많은 장소, 축축한 장소 또는 강한 진동이 발생하는 장소 등과 같은 환경에 카메라를 장시간 두지 않도록 하십시오.
- 카메라를 떨어뜨리거나, 심한 충격이나 진동을 가하지 않도록 하십시오.
- 렌즈를 누르거나, 당기거나, 압력을 가하지 마십시오.

### 준비

#### 리튬이온 배터리 사용에 관한 중요한 지침

1. 화염 속여 던지지 마십시오.
2. 함성되지 않도록 하십시오.
3. 개조하지 마십시오.
4. 손상된 카메라를 계속 사용하지 마십시오.
5. 사용한 후에 올바른 방법으로 폐기하십시오.
6. 물에서 멀리 하십시오.

### EU 준비 선언

Impossible B.V.는 OneStep 2 아날로그 즉시 카메라를 환경과 용도 사용할 경우, 전자파 적합성 지침(2014/30/EU), 저전압 지침(2014/35/EU), 전기전자제품 유해물질 사용제한 지침(2011/65/EU) 및 기타 관련 조항의 필수 요건을 준수함을 선언합니다.



이 기호는 현지 법률 및 규정에 따라 제품을 가장용 폐기물과 별도로 폐기해야 함을 의미합니다. 이 제품의 수명이 다했을 경우, 현지 기관이 지정한 수거 장소에 폐기하십시오. 일부 수거 장소는 무료로 이용할 수 있습니다. 제품을 폐기할 때 반드시 수거 및 재활용하면 천연 자원을 보호하고, 인해 건강과 환경을 보호하는 방식으로 재활용하는데 도움이 될 것입니다.

# Руководство пользователя

## Гарантия

Гарантия на данный фотоаппарат  
приведена по адресу:  
[polaroidoriginals.com/warranty](http://polaroidoriginals.com/warranty)



## Комплект поставки

- 01 Фотоаппарат OneStep 2
- 02 USB-кабель для зарядки
- 03 Руководство пользователя
- 04 Шейный ремень фотоаппарата

## Инструкция по эксплуатации OneStep<sup>2</sup>

### Зарядите фотоаппарат

**Важно** На момент приобретения OneStep 2 заряжен не полностью — перед первым использованием его необходимо полностью зарядить. Чтобы зарядить фотоаппарат, вставьте USB-кабель в Micro-USB на задней панели, а второй конец кабеля подключите к зарядному устройству (например, можно воспользоваться зарядным устройством смартфона или USB вашего компьютера). Когда аккумулятор будет заряжен полностью, красный мигающий светодиодный индикатор выключится.

Для полной зарядки от розетки с использованием адаптера для смартфона обычно требуется около 2 часов, а от USB компьютера — до 4 часов. Полного заряда фотоаппарата OneStep 2 достаточно для использования 15-20 фотопленок (в зависимости от режимов

съемки). Не забывайте выключать фотоаппарат после каждого использования, чтобы продлить ресурс аккумулятора.

### 1. Включение и выключение фотоаппарата

Чтобы включить фотоаппарат, сдвиньте переключатель питания в положение включения (вниз). На задней панели начнет мигать светодиод зарядки вспышки, а на верхней панели подсветится счетчик оставшихся кадров, указывая на включение фотоаппарата.

**Для** выключения фотоаппарата верните переключатель питания в исходное положение.

### 2. Загрузка пленки

Сдвиньте защелку крышки отсека для пленки, чтобы открыть крышку. Вставьте кассету с пленкой до упора, светозащитной заслонкой вверх.

**Примечание** Время проявки, указания по обращению и хранению см. на индивидуальной упаковке пленки.

дualной упаковке пленки.

### 3. Закрытие крышки отсека для пленки

При закрытии крышки отсека для пленки светозащитная заслонка будет автоматически удалена из фотоаппарата из-под защитного экрана. Пластмассовый защитный экран предотвращает засвечивание изображений в процессе проявки — не снимайте его. Извлеките светозащитную заслонку из-под защитного экрана и дайте экрану встать на место. Если светозащитная заслонка не вышла, извлеките фотопленку и снова вставьте его в фотоаппарат до упора.

### 4. Настройка вспышки и функции осветления/затемнения

**Вспышка** При съемке фотоаппаратом OneStep 2 вспышка срабатывает по умолчанию. Чтобы снимать без вспышки, в момент нажатия кнопки спуска затвора нажмите и удерживайте кнопку блокировки вспышки на задней панели.

**Предупреждение** съемка без вспышки снижает эффективность фотоаппарата и качество снимков в большинстве условий освещения, за исключением яркого солнечного света. Рекомендуется всегда пользоваться вспышкой.

#### Осветление/затемнение

С помощью переключателя осветления/затемнения справа от оправы объектива можно регулировать экспозицию снимка. Для получения более светлого снимка сдвиньте переключатель осветления/затемнения вправо, в положение «плюс/осветление». Чтобы сделать фотографию темнее, сдвиньте переключатель осветления/затемнения влево, в положение «минус/затемнение». Эти дв соответствуют разным экспозиционным числам (ev). Экспозиционные числа фотоаппарата  $+1/2$  ev (при перемещении переключателя в положение «плюс/осветление») и  $-1/2$  ev (при перемещении переключателя в положение «минус/затемнение»).

#### **5. Использование видоискателя**

В OneStep 2 используется традиционный видоискатель, расположенный справа от оправы объектива. Видоискатель работает с наибольшей точностью, когда пользователь приближает правый глаз к пространству позади него.

**Следует** помнить, что видоискатель расположен немного выше и правее объектива фотоаппарата — выше и левее направления взгляда пользователя в момент съемки, — поэтому необходимо учитывать это для получения правильной композиции кадра при фотографировании на расстояниях 1,2 метра или менее.

#### **6. Композиция фотографии**

Чтобы получить резкий снимок, в момент съемки нужно находиться на расстоянии не менее 60 см от объекта. Для получения оптимальных результатов старайтесь фотографировать так, чтобы источник

освещения был у вас за спиной.

#### **7. Съемка**

Чтобы сделать снимок, нажмите кнопку спуска затвора. ак только вы отпустите кнопку спуска затвора от света защитным экраном и фиксируется на месте о тех пор, пока вы не будете готовы ее.

#### **8. Извлечение и защита снимка**

Извлеките фотографию из-под защитного экрана и дайте ему вернуться в фотоаппарат. Положите фотографию лицевой стороной вниз, чтобы защитить ее от света во время проявки.

## **Дополнительные инструкции**

#### **Использование автоспуска**

OneStep 2 оснащен функцией автоспуска, которая позволяет фотографировать себя или делать идеально

синхронизированные снимки. Чтобы воспользоваться автоспуском, нажмите кнопку автоспуска слева от оправы объектива. Кнопка автоспуска оранжевым цветом, что указывает на активацию автоспуска. Выбрав композицию кадра, нажмите кнопку спуска затвора. Время задержки между нажатием кнопки и спуском затвора составляет 8 секунд. После активации оранжевый светодиодный индикатор автоспуска мигать, что указывает на начало обратного отсчета. В ярко освещенных местах или на солнечном свете вспышка фотоаппарата также начинает обратный отсчет, обозначаемый короткими вспышками малой мощности.

**При** использовании автоспуска для съемки вспышка срабатывает автоматически. Чтобы сделать снимок с автоспуском без вспышки, активируйте автоспуск, затем одновременно с нажатием кнопки спуска затвора нажмите и удерживайте кнопку

блокировок вспышки.

### Остаток фотопленки в кассете

На верхней панели фотоаппарата расположены 8 оранжевых светодиодных индикаторов. Когда OneStep 2 включен и не находится в спящем режиме, индикаторы постоянно отображают запас пленки. Количество индикаторов соответствует количеству кадров, оставшихся в фильмпаке. Например: если 6 индикаторов, это означает, что в фильмпаке осталось 6 кадров. Если использованы все 8 кадров фильмпака, либо если фильмпака не установлен в фотоаппарат, при включении последнего индикаторы быстро мигают.

### Заряд аккумулятора

В фотоаппарате предусмотрено 3 состояния аккумулятора, обозначаемые светодиодным индикатором заряда вспышки:

1. Аккумулятор полностью заряжен:

Заряда достаточно как минимум на 2 фильмпака.

Во время зарядки между кадрами индикатор вспышки мигает зеленым, а после готовности к съемке зеленый

индикатор

2. Низкий заряд аккумулятора: Заряда достаточно примерно на 1 фильмпака.

Во время зарядки между кадрами индикатор вспышки мигает оранжевым, а после готовности к съемке оранжевый индикатор

3. Аккумулятор полностью разряжен:

Заряд отсутствует

Индикатор вспышки мигает красным, и фотоаппарат выключается. Повторное включение возможно только после зарядки аккумулятора.

Полного заряда фотоаппарата OneStep 2 достаточно для использования 15-20 фильмпаков (в зависимости от режимов съемки). Чтобы проверить заряд фотоаппарата в любой момент, выключите фотоаппарат, затем снова включите его, удерживая нажатой кнопку автоспуска. 8 индикаторов счетчика кадров на

верхней панели фотоаппарата, показывая оставшийся заряд аккумулятора.

Например: если 6 индикаторов, это означает, что оставшийся заряд фотоаппарата составляет 6/8 (75%) от максимума. После отпущения кнопки автоспуска индикаторы снова будут показывать количество оставшихся кадров в фильмпаке.

### Совместимая пленка

В OneStep 2 можно использовать любые фильмпаки типа Polaroid Originals i-Type и типа 600. Рекомендуется использовать пленку i-Type, так как она оптимизирована для работы с OneStep 2.

### Источник питания

Перед использованием зарядите OneStep 2, чтобы обеспечить достаточный уровень на все время съемки (см. раздел →Зарядите фотоаппарат). Пока фотоаппарат подключен к источнику питания и заряжается, индикатор зарядки вспышки постоянно красным

после достижения полного заряда фотоаппарата индикатор погаснет.

### Присоединение шейного ремня фотоаппарата

Порядок прикрепления шейного ремня показан на стр. 8.

### Использование штатива

нижней панели OneStep 2 предусмотрен, совместим с большинством стандартных штативов. Просто вверните крепление штатива в нижнюю панель OneStep 2.

**Для** загрузки или замены пленки в OneStep 2 необходимо отсоединять крепление большинства моделей штативов.

### Очистка роликов

Иногда на роликах фотоаппарата могут скапливаться частицы проявляющего состава с фотографий, что влияет на рабочие характеристики фотоаппарата и может вызывать нежелательные дефекты на снимках. Для устранения этой проблемы в OneStep 2

предусмотрен режим очистки роликов. Выполните следующие действия:

1. Выключите фотоаппарат.
2. Откройте крышку отсека для пленки.
3. Удерживая нажатой кнопку блокировки вспышки, нажмите кнопку спуска затвора.
4. Фотоаппарат находится в режиме очистки роликов.
5. Используя влажную ткань или ватную палочку, осторожно очистите ролики.
6. Нажмите кнопку спуска затвора, чтобы постепенно перемещать ролики.
7. Когда оба ролика будут очищены со всех сторон, закройте крышку отсека для пленки.
8. Ролики автоматически займут правильное положение.

## Поиск и устранение неисправностей и часто задаваемые вопросы

### OneStep 2 не выдает фотографии / не открывает светозащитную заслонку

Убедитесь, что фотоаппарат OneStep 2 заряжен: если заряд аккумулятора недостаточно для работы устройства, индикатор заряда вспышки мигает красным цветом. В этом случае необходимо зарядить фотоаппарат перед следующим использованием.

Убедитесь, что в фотоаппарате есть пленка: чтобы проверить это, выключите и снова включите питание. Светодиодные индикаторы счетчика пленки покажут, сколько кадров осталось в фильмопакете. Если индикаторы быстро мигают при включении фотоаппарата, это говорит о том, что в фильмопакете не осталось кадров, либо

фильмопакет не вставлен.

### Вспышка не срабатывает при съемке фотографий

Убедитесь, что при съемке случайно не нажали кнопку блокировки вспышки на задней панели фотоаппарата.

### Фотографии получаются слишком темными

Настоятельно рекомендуется использовать вспышку при съемке в помещении, а также вне помещения в темное время суток и в облачную погоду с недостаточным освещением.

Не снимайте против солнца; OneStep 2 измеряет средний уровень освещенности в поле своего зрения. При съемке против солнца слишком яркий свет может вызвать чрезмерную компенсацию при экспонировании кадра, в результате чего изображение получается слишком темным и объект на фотографии плохо виден.

Чтобы сделать изображение ярче, сдвиньте переключатель осветления/затемнения справа от оправы объектива в положение «плюс/осветление».

### Фотографии получаются размытыми или нечеткими

Во время съемки удерживайте фотоаппарат неподвижно, особенно в условиях недостаточного освещения, при этом объект съемки должен быть хорошо освещен.

Настоятельно рекомендуется использовать вспышку при съемке в помещении, а также вне помещения в темное время суток и в облачную погоду с недостаточным освещением. Можно также воспользоваться штативом, чтобы обеспечить устойчивое положение фотоаппарата.

Убедитесь, что при съемке вы находитесь на достаточном удалении от объекта. Чтобы избежать размытых и фотографий, расстояние до объекта съемки должно быть не менее 60 см.

## Как получить потрясающие снимки

### Съемка в помещении

При съемке в помещении обязательно используйте вспышку, даже если вам кажется, что она не нужна. Освещение в помещении выглядит на аналоговой пленке желтым — вспышка OneStep 2 компенсирует этот эффект.

### Ночная съемка

При съемке на вечеринке (или в любой другой обстановке в помещении в ночное время) обязательно пользуйтесь вспышкой. Можно также попробовать перемещать переключатель освещения/затемнения в положение «плюс/освещение», чтобы получить более яркий снимок.

### Съемка вне помещения

Когда речь идет о моментальном фотографировании, оптимальный вариант — это естественное освещение. В солнечный день на природе

использовать вспышку вообще не требуется. Не снимайте против солнца; при съемке солнце должно быть у вас за спиной, освещая объект прямо или сбоку. Если среда слишком яркая, можно передвинуть переключатель освещения/затемнения в положение «минус/затемнение», чтобы уменьшить количество света, попадающего на кадр, и предотвратить его «засветку». В любой ситуации, кроме съемки в условиях яркого прямого солнечного света рекомендуется использовать вспышку для получения снимков максимального качества.

### Ландшафтная фотография

При съемке пейзажей солнце или основной источник света должны быть за спиной, чтобы не допустить засветки изображения из-за слишком яркого освещения. В пасмурный или хмурым день с недостаточным уровнем освещенности можно установить фотоаппарат на штатив или на устойчивую поверхность — это облегчит сохран резкость всей сцены.

## Техническая поддержка

Служба технической поддержки Polaroid Originals всегда рада прийти на помощь. Для связи с нами используйте приведенные ниже контактные данные. Для получения более подробной и актуальной информации на веб-сайт [polaroidoriginals.com/help](http://polaroidoriginals.com/help)

США/Канада  
[usa@polaroidoriginals.com](mailto:usa@polaroidoriginals.com)  
+212 219 3254

Европа/остальные страны  
[service@polaroidoriginals.com](mailto:service@polaroidoriginals.com)  
00 800 577 01500

Impossible B.V.  
P.O. Box 242  
7500 AE Enschede  
Нидерланды

## Технические характеристики

### Общие характеристики

Размеры  
150 (Д) × 111 (Ш) × 97 (В) мм  
Масса  
460 г (без фильма)  
Рабочая температура  
4–42°C, относительная влажность  
5–90%  
Совместимая пленка  
Пленка Polaroid Originals i-Type и тип 600, цветная и черно-белая, включая специальные серии.  
Аккумулятор  
Высокоэффективный литий-ионный аккумулятор, 1100 мАч, номинальное напряжение 3,7 В, 4,07 В-ч

### Материалы

Корпус  
Поликарбонат + пластик abs  
Объектив  
Объектив из поликарбоната оптического класса, просветленный  
Затвор  
Специальная конструкция с прецизионным шаговым электромотором

### Оптическая система

Объектив  
Объектив с постоянным фокусным расстоянием  
Фокусное расстояние  
106 мм  
Поле зрения  
41 град. по вертикали,  
40 град. по горизонтали

### Вспышка

Импульсная вакуумная разрядная трубка

## Информация по технике безопасности

**Осторожно!** ИСК ПОРАЖЕНИЯ ЭЛЕКТРИЧЕСКИМ ТОКОМ — НЕ ВСКРЫВАЙТЕ И НЕ РАЗБИРАЙТЕ СИСТЕМУ РОЛИКОВ С ЭЛЕКТРОПРИБОРОМ

- Не разбирайте устройство. Неправильная сборка может стать причиной поражения электрическим током при следующем использовании устройства.
- Не погружайте устройство в воду или иные жидкости.
- Не используйте устройство в средах с высокой влажностью или уровнем запыленности.
- Не пытайтесь вносить изменения в конструкцию, регулировать или извлекать аккумулятор и/или электронные схемы под роликами, расположенными за крышкой отсека для пленки.
- Не пытайтесь снять саму крышку, так как она соединена электронной схемой с корпусом устройства. Это небезопасно, може привести к повреждению устройства и аннулированию гарантии.
- Не вставляйте в устройство металлические предметы.
- Ничего не вставляйте в ролики или шестерни.
- Храните устройство вне досягаемости маленьких детей, чтобы они не травмировались подвижными деталями устройства.
- Не используйте и не храните устройство вблизи источников тепла или любого оборудования, излучающего тепло, включая стереоусилители.
- Не используйте устройство вблизи легковоспламеняющихся или взрывоопасных газов.
- Не заряжайте устройство, если почувствовали необычный запах, заметили шум или дым.
- Не пытайтесь разбирать аккумулятор пленки и не вносите изменения в его конструкцию (при использовании пленки типа 600). В случае попадания электролита аккумулятора в глаза немедленно промойте их чистой холодной проточной водой и обратитесь к врачу.

### Аккумулятор и зарядное устройство

- В данном устройстве используется

специальный несъемный литий-ионный аккумулятор, установленный в корпусе фотоаппарата. Другие типы аккумуляторов использовать нельзя. Замену аккумулятора можно выполнять только в авторизованном сервисном центре. При правильном использовании аккумулятор прослужит много лет.

- Энергопотребление зависит от среды, в которой используется устройство, а также от условий его хранения. При использовании сразу после полной зарядки аккумулятора хватит на обработку со вспышкой до 20 фильмопаков. Из-за высокого энергопотребления вспышки рекомендуется полностью заряжать фотоаппарат перед каждым использованием, чтобы получать наилучшие результаты.
- Когда уровень заряда аккумулятора падает ниже определенного значения, устройство не может обрабатывать пленку. Индикатор начинает мигать, сигнализируя о необходимости зарядки. Это позволяет избежать застревания фотографии при прохождении роликовой системы.
- На момент приобретения аккумулятор заряжен частично. Полностью зарядите аккумулятор с помощью USB-кабеля из комплекта поставки. Обычно это занимает 12 часа (зависит от использования).
- Прилагаемый USB-кабель для зарядки проверен на совместимость с блоками питания Apple iPhone. Допускается его использования для подключения к другим портам USB, например компьютера, USB-адаптеров, телевизоров, автомобилей и пр., однако правильная работа в этом случае не гарантируется.
- Если устройство больше не используется, утилизируйте его должным образом.

### Среда эксплуатации

- Чтобы защитить прецизионные компоненты устройства, не оставляйте фотоаппарат на длительный срок в следующих условиях окружающей среды: высокая температура (+42°С), высокая влажность, места с резкими перепадами температур (высоких и низких), под прямыми солнечными лучами, в песчаных и пыльных местах, таких как пляжи, влажных местах или в местах с сильной

вибрацией.

- Не бросайте устройство и не подвергайте его сильному удару или вибрации.
- Не нажимайте, не тяните объектив.

## Соответствие нормативным требованиям

Важные указания по использованию литий-ионных аккумуляторов

1. Не бросать в огонь.
2. Не подвергать короткому замыканию.
3. Не разбирать.
4. Не продолжать использование в случае повреждения.
5. Правильно утилизировать по окончании эксплуатации.
6. Хранить вдали от воды.

### Декларация ЕС о соответствии

Компания Impossible B.V. заявляет, что аналоговый фотоаппарат мгновенной съемки OneStep 2 отвечает основным требованиям Директивы об электромагнитной совместимости (2014/30/EU), Директивы о низковольтном оборудовании (2014/35/EU), Директивы об ограничении содержания вредных веществ (2011/65/EU) и других соответствующих предписаний при условии использования фотоаппарата по целевому назначению.



Символ означает, что в соответствии с местным законодательством и нормами утилизировать это изделие необходимо отдельно от бытовых отходов. По истечении срока службы данного изделия его следует сдать в пункт приема, местными органами власти. Некоторые пункты приема принимают изделия бесплатно. Утилизация изделия с соблюдением правил раздельного сбора и переработки поможет природные ресурсы и гарантирует переработку в соответствии с требованиями защит здоровья и окружающей среды.



# OneStep<sup>2</sup> Viewfinder i-Type camera

**OneStep 2 Analog Instant Camera**  
**Polaroid Originals**

**Impossible B.V.**  
P.O. Box 242  
7500 AE Enschede  
The Netherlands



MSIP-REM-  
IBV-OneStep2



D33J34



End of life disposal warning: When the product has come to the end of life, dispose of it in accordance with local regulations. This product is subject to the EU directive 202/96/EC on Waste Electrical and Electronic Equipment (WEEE) and should not be disposed as unsorted municipal waste.

Revision 5.0 - 02/2018

Manufactured in China. This product is distributed and sold by Impossible B.V., P.O. Box 242, 7500 AE Enschede, The Netherlands and its wholly owned subsidiaries. Polaroid, Polaroid Classic Border logo, Polaroid Originals Design and Polaroid OneStep are trademarks of PLR IP Holdings, LLC, used under license. PLR IP Holdings, LLC does not manufacture this product or provide any Manufacturer's Warranty or support.